

## BS-1080BL3DHD1 LCD Digital 3D Video Microscope



BS-1080BL3DHD1

### Introduction

BS-1080BL3DHD1 LCD Digital Zoom Video microscope adopts apochromatic parallel optical imaging system and provide high resolution and sharp stereoscopic images. The zoom ratio is 1:8.3 with high quality LED ring light and 3D attachment. The camera system comes with a HDMI, WIFI camera and 12.5" retina LCD screen. The camera can be controlled with mouse to take pictures, take videos and make measurement, it can work without PC. This microscope has been designed for the applications in the fields of industrial inspection and scientific research. Modularization product portfolio and excellent performance make them a better choice in these areas.

### Features

1. Adopt apochromatic parallel optical imaging system, use advanced multi-layer coating technology. Get high-resolution and high contrast images, naturally restore the true colors of observed objects.
2. Compact design, it is very suitable for the small installation space.
3. Zoom ratio 1:8.3, zoom range 0.6×-5×, standard working distance 88mm, can meet the requirement of circuit board, electronics, semi-conductor and other industrial inspections.
4. 0.3×, 0.5×, 1× C-mount eyepiece adapter are available to provide more magnification.
5. LED Ring light has 4 zones, can be controlled separately, the uniform light is suitable for high reflectivity surface precision detection and limited exterior lighting occasions.
6. The 3D attachment can be used to see the different side of samples(side view 3D microscope), very convenient for inspection.
7. The camera system comes with a HDMI, WIFI camera and 12.5" retina LCD screen, controlled by mouse.

## Application

BS-1080BL3DHD1 LCD Digital 3D Zoom Video Microscope is widely used in educational demonstration, agriculture research, industrial material, semi-conductor, integrated circuit board, electronics inspection area and so on.

## Specification

Item	Specification	BS-1080 BL3DHD1
Optical System	Infinite apochromatic parallel optical system	●
Zoom Lens	Optical zoom magnification: 0.6-5.0×	●
Zoom ratio	1:8.3	●
Mounting Size	Φ40mm	●
Digital Camera	BWHC-1080B digital camera with HDMI and WIFI output, can capture 5.0MP pictures, videos and do measurement, control with mouse, also can be connected to PC to tablet PC, smart phone via WIFI interface.	●
LCD Monitor	12.5 inches LCD screen, resolution: 1920×1080.	●
	Color display: 16.7m	●
	Brightness: 300Nit	●
	Contrast: 800:1	●
	Visible angle: 170° horizontal & vertical	●
	Power supply: input AC100-240V, output: DC12V/5A/60W	●
	Input interface: HDMI1, HDMI2	●
	Output interface: 3 units of DC5V/2A	●
C-mount Adapter	0.3× C-mount adapter	○
	0.4× C-mount adapter	○
	0.5× C-mount adapter	●
	0.67× C-mount adapter	○
	1× C-mount adapter	○
	1.5× C-mount adapter	○
	2× C-mount adapter	○
	3× C-mount adapter	○
Objective Lens	1× / WD: 88mm	●
Ring Light	Four-Zone LED Ring light, brightness adjustable	●
3D Attachment	Can be used to see the different side of samples (side view)	●
Other	BSL-3B LED light source with dual goose neck light guide, 6.5W	○
Accessories	BMS-302 X-Y moving stage	○
Stand and focus arm	BA1 Pillar type plain stand with coarse focus arm	●
	BA2 Pillar type plain stand with coarse and fine focus arm	○
	BA3 Square type plain stand with coarse and fine focus arm	○
	BA4 Square type plain stand with coarse and fine focus arm, transmitted 10W LED illumination	○

Note: ●Standard Outfit, ○Optional

Accessories



CCD C-mount adapter



BMS-302 X-Y stage

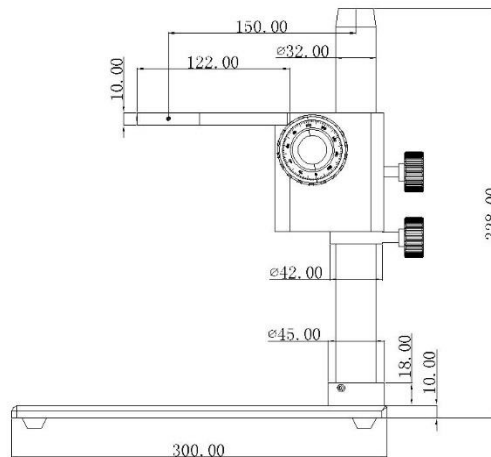
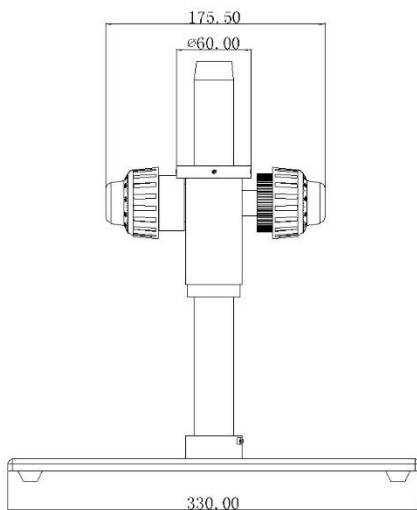


BA1 Stand



BA2 Stand

Dimension



Unit: mm