

BS-2027 Biological Microscope



BS-2027M



BS-2027B



BS-2027T

Introduction

BS-2027 series biological microscopes come with elaborate appearance and reliable quality, beautiful and practical. These microscopes adopt LED illumination and ergonomics design, comfortable for observation.

The frame is lightweight but stable, easy to carry. BS-2027 series microscopes are compact and solid, innovative frame High rigid but small, specially designed for students. The easy operation and clear image inspire students' imagination and interesting of microscopy world, which is helpful to explore the mystery of life science. New generation of scientists are born from here!

These microscopes are widely used in educational, academic, agricultural and study field. Rechargeable battery compartment is optional for outdoors operation or places that power supply is not stable.

Feature

1. Comfortable operation with ergonomic design, easy to handle by students.
2. Rechargeable LED illumination system is optional, the microscopes can work when there is no power supply.
3. External power supply, safe and easy to maintain.
4. Compact and flexible, ideally suited for desktop, laboratory worktable.

Application

BS-2027 series microscopes are ideally suited for school biological education and medical analyses area to observe all kinds of slides. They can be widely used in schools, clinics, hospitals, academic labs and scientific research department.

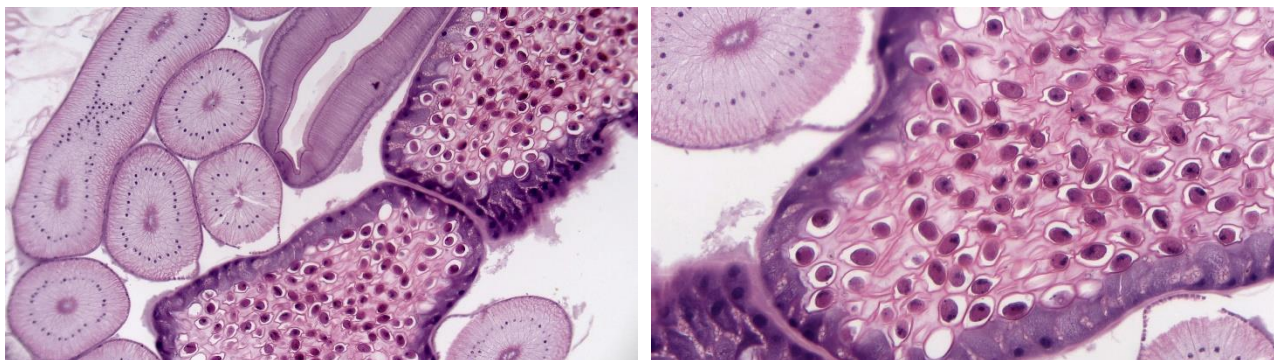
Specification

Item	Specification	BS-2027M	BS-2027B	BS-2027T	
Optical System	Finite Optical System	●	●	●	
Viewing Head	Monocular Head, Inclined at 30°, 360° Rotatable, with locking mechanism for eyepieces	●			
	Seidentopf Binocular Head, Inclined at 30°, 360° Rotatable, with locking mechanism for eyepieces, ±5 diopter adjustment on left tube, Interpupillary Distance 50-75mm		●		
	Seidentopf Trinocular Head, Inclined at 30°, 360° Rotatable, with locking mechanism for eyepieces, ±5 diopter adjustment on left tube, Interpupillary Distance 50-75mm, Light Distribution Eyepiece: Trinocular=80:20			●	
Eyepiece	Wide field plan eyepiece PL10×/18mm	●	●	●	
	Wide field plan eyepiece PL10×/18mm with pointer	○	○	○	
	Wide field plan eyepiece PL10×/18mm with eyepiece micrometer	○	○	○	
Objective	Achromatic Objective	4×/0.10, WD=21.50mm	●	●	●
		10×/0.25, WD=6.26mm	●	●	●
		40×(S)/0.65, WD=0.48mm	●	●	●
		100×(S,Oil)/1.25, WD=0.15mm	●	●	●
	Plan Achromatic Objective	4×/0.10, WD=15.09mm	○	○	○
		10×/0.25, WD=8.57mm	○	○	○
		20×/0.40, WD=8.72mm	○	○	○
		40×(S)/0.65, WD=0.38mm	○	○	○
	100×(S,Oil)/1.25, WD=0.09mm	○	○	○	
Nosepiece	Backward Quadruple Nosepiece	●	●	●	
Stage	132mm×140mm double layers mechanical stage, moving range: 50mm×6mm, precision: 0.1mm.	●	●	●	
Focusing	Low-position coarse and fine adjustment with stop and tighten structure, moving range: 25mm, fine precision 0.002mm	●	●	●	
Condenser	NA 1.25 Abbe condenser with iris diaphragm and filter holder	●	●	●	
Illumination	3W LED (cold color temperature or warm color temperature is optional, cold color temperature 4750K-5500K, warm color temperature 2850K-3250K), center presetting, intensity adjustable, external wide voltage AC adapter, 100V-240V_AC50/60Hz input, DC6V 2A output.	●	●	●	
	3W LED (cold color temperature or warm color temperature is optional, cold color temperature 4750K-5500K, warm color temperature 2850K-3250K), center presetting, intensity adjustable, with rechargeable battery compartment(for 4pcs Ni-MH AA battery, battery not included), external wide voltage AC adapter, 100V-240V_AC50/60Hz input, DC6V 1A output.	○	○	○	
	0.35× C-mount (Adjustable)			○	

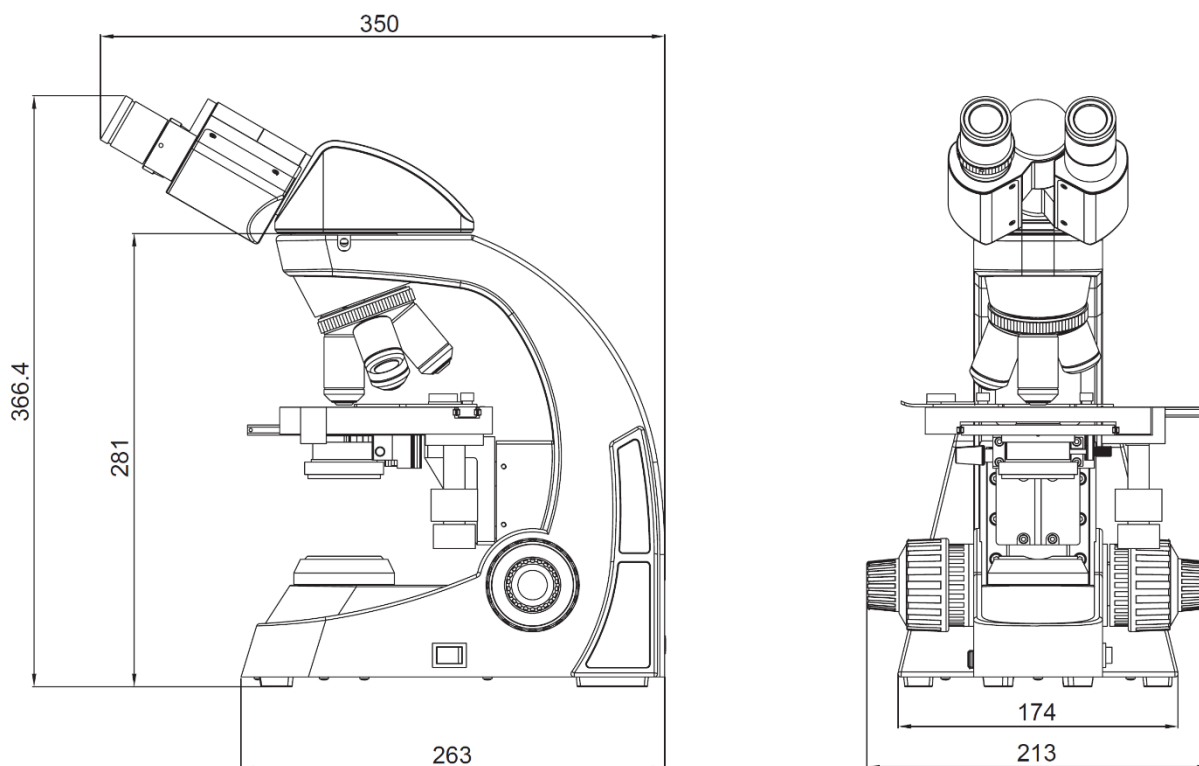
C-mount Adapter	0.5× C-mount (Adjustable)			○
	0.65× C-mount (Adjustable)			○
	1× C-mount (Adjustable)			○
	Trinocular tube 23.2mm for digital eyepiece			○
Packaging	1pc/carton, 51cm*30cm*58cm, GW:10kgs, NW: 8kgs	●	●	●

Note: ● Standard Outfit, ○ Optional

Sample Images



Dimension



Unit: mm