

## BS-2038 Series Biological Microscope



BS-2038B1/B2



BS-2038T1/T2

### Introduction

BS-2038 series microscopes are specially designed for college education, medical and laboratory study. They adopt Infinite optical system, beautiful structure and ergonomic design. With an innovative optical and structure design, excellent optical performance and easy to operate system, these biological microscopes make your works enjoyable.

### Feature

1. Excellent infinite optical system with High resolution and perfect definition.
2. Comfortable operating with ergonomic design.
3. 100X water objective is available for convenient viewing.
4. Unique LED illumination system, provide bright and comfortable lighting.
5. Winding device for cable, easy to move and storage.
6. Various accessories for upgrading.



Wire Winding Device



Rackless(Integrated) Stage



100× Water objective



Simple polarizing unit  
Polarizer & analyzer



Dark filed unit available  
for 4×- 60× objective

## Application

BS-2038 series microscopes are ideal instrument in biological, histological, pathological, bacteriology, immunizations and pharmacy field and can be widely used in medical and sanitary establishments, laboratories, institutes, academic laboratories, colleges and universities.

## Specification

Item	Specification	BS-2038T1	BS-2038T2
Optical System	Color Corrected Infinite Optical System	●	●
Viewing Head	Seidentopf Binocular Head, Inclined 30°, Rotatable 360°, Interpupillary Distance: 48-75mm	○	○
	Seidentopf Trinocular Head, Inclined 30°, Rotatable 360°, Interpupillary Distance: 48-75mm, Light Distribution: 20:80	●	●
Eyepiece	WF10×/20mm (High eyepoint)	●	●
	WF16×/13mm	○	○
	WF10X/20mm(High eyepoint, Focus non-adjustable, Reticule 0.1mm)	○	○
	WF10X/20mm(High eyepoint, Focus adjustable, Reticule 0.1mm)	○	○
Infinite Objective	E-Plan 4×/0.10	●	○
	E-Plan 10×/0.25	●	○
	E-Plan 40×/0.65(S)	●	○
	E-Plan100×/1.25(S, Oil)	●	○
	Plan 4×/0.10	○	●
	Plan 10×/0.25	○	●
	Plan 20×/0.40(S)	○	○
	Plan 40×/0.66(S)	○	●
	Plan 60×/0.80(S)	○	○
	Plan 100×/1.25(S, Oil)	○	●
Plan 100×/1.15(S, Water)	○	○	
Nosepiece	Backward Quadruple Nosepiece	●	●
Mechanical Stage	Size 145mm×140mm, Travel Range:76mm×52mm, Scale: 0.1mm, Two Slide Holder	●	●
	Rackless(integrated) Stage, Size 140mm×135mm, Travel Range: 75mm×35mm, Scale: 0.1mm, Two Slide Holder	○	○
Abbe Condenser	N.A.1.25, With iris Diaphragm	●	●
Focusing	Coaxial Coarse and Fine Focusing Knob, Coarse Focusing Travel Range: 25mm, Fine division: 2μm	●	●
Illumination	3W LED Illumination, Voltage: 100V-240V	●	●
Dark Field Unit	Dark Field Ring (Dry, N.A.0.9), used for 4X, 10X, 20X, 40X, 60X objective	○	○
Polarizing Unit	Analyzer, Polarizer	○	○
C-mount	1× C-mount	○	○

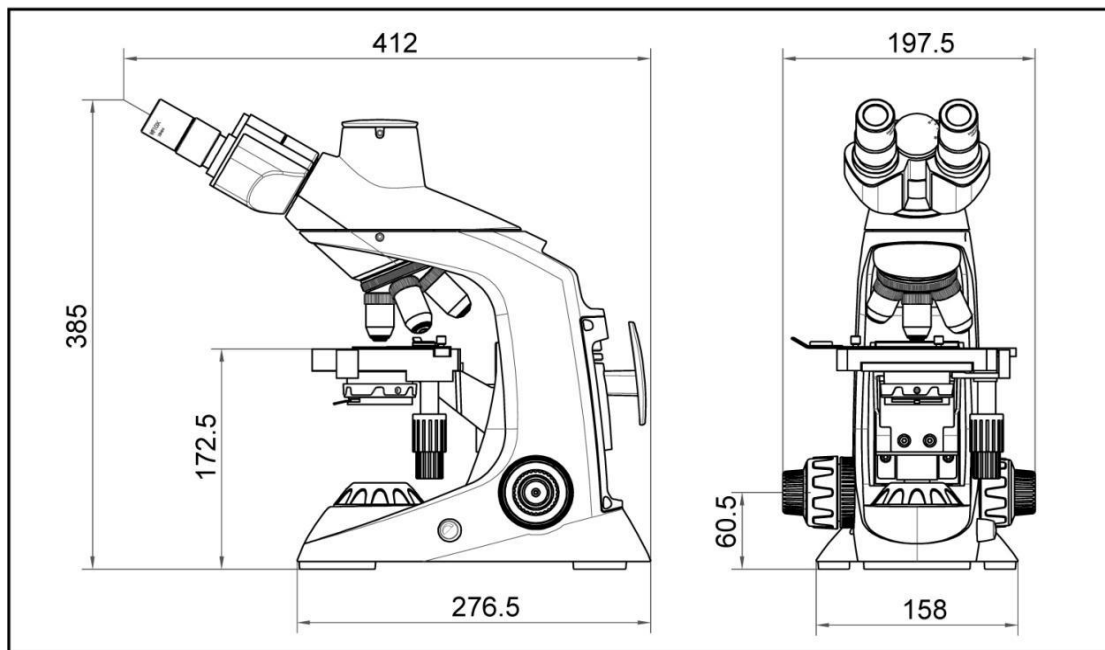
	0.5× C-mount (Focus adjustable)	○	○
Wire Winding Device	Wind cable on back of the microscope	●	●
Filter	Blue/ Green/ Yellow	○	○

Note: ●Standard Outfit, ○Optional

Packing Size: 350mm×270mm×470mm, Gross Weight: 6.7 kgs, Net Weight: 5.3 kgs

## Dimension

Unit: mm



## Sample Image

