

BS-2063 Biological Microscope



BS-2063B



BS-2063T

Introduction

BS-2063 series microscopes are high level microscopes which are specially designed for college education, medical and laboratory study. It adopts an Infinite optical system, beautiful structure and ergonomic design. With an innovative optical and structure design, excellent optical performance and easy to operate system, these biological microscopes make your works enjoyable.

Feature

1. Excellent infinite optical system with high resolution and perfect definition.
2. Wide field 10×/Φ22mm eyepiece, more comfortable for observation.
3. 100X water objective is available for convenient viewing.
4. Trinocular head with light distribution 100:0 (100% for eyepiece) and 80:20(80% for trinocular head and 20% for eyepiece).
5. Rackless stage is safer than traditional stage.



6. Various accessories for upgrading.

(1) Quintuple turret phase contrast unit with 10X/20X/40X/100X infinite plan phase contrast objective for phase contrast and bright field observation.



(2) N.A.0.9/0.13 Swing-out Condenser

Dark field condenser (dry) available to 4X-40X Objective

Dark field condenser (oil) available to 100X Objective



(3) Infinite Plan Objectives



(4) Mercury and LED fluorescent attachment with six-holes disk fluorescence unit, More fluorescence filters can be supplied.



BS-2063FT



BS-2063FT(LED)



(5) Simple polarizing unit with polarizer and analyzer.



Application

BS-2063 series microscopes are ideal instrument in biological, histological, pathological, bacteriology, immunizations and pharmacy field and can be widely used in medical and sanitary institutes, such as hospitals, clinics, academic laboratories, colleges and universities.

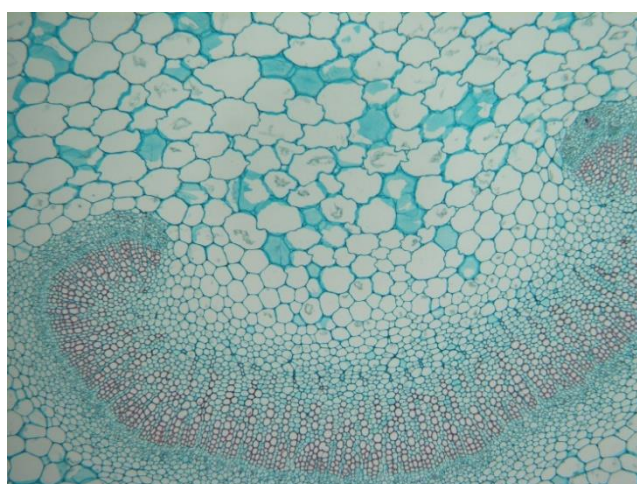
Specification

Item	Specification	BS-2063B	BS-2063T
Optical System	Color Corrected Infinite Optical System	•	•
Viewing Head	Seidentopf Binocular Head, Inclined 30°, Rotatable 360°, Interpupillary Distance: 48-76mm	•	
	Seidentopf Trinocular Head, Inclined 30°, Rotatable 360°, Interpupillary Distance: 48-76mm, Light distribution (both): 100: 0 (100% for eyepiece) 80:20(80% for trinocular head and 20% for eyepiece)		•
Eyepiece	WF10×/22mm (Diopter adjustable), tube diameter: 30mm	•	•
	WF15×/16mm (Diopter adjustable)	○	○
	WF10×/22mm with 0.1mm eyepiece micrometer	○	○
Infinite Plan Achromatic Objective	4×/0.10, W.D.=12.10mm	•	•
	10×/0.25, W.D.=4.64mm	•	•
	20×/0.40(S), W.D.=2.41mm	•	•
	40×/0.65 (S), W.D.=0.65mm	•	•
	100×/1.25(S, Oil), W.D.=0.12mm	•	•
	2.5×/0.07 W.D.=8.47mm	○	○
	60×/0.80(S) W.D.=0.33mm	○	○
100×/1.15(S, Water) W.D.=0.19mm	○	○	
Nosepiece	Backward Quintuple Nosepiece	•	•

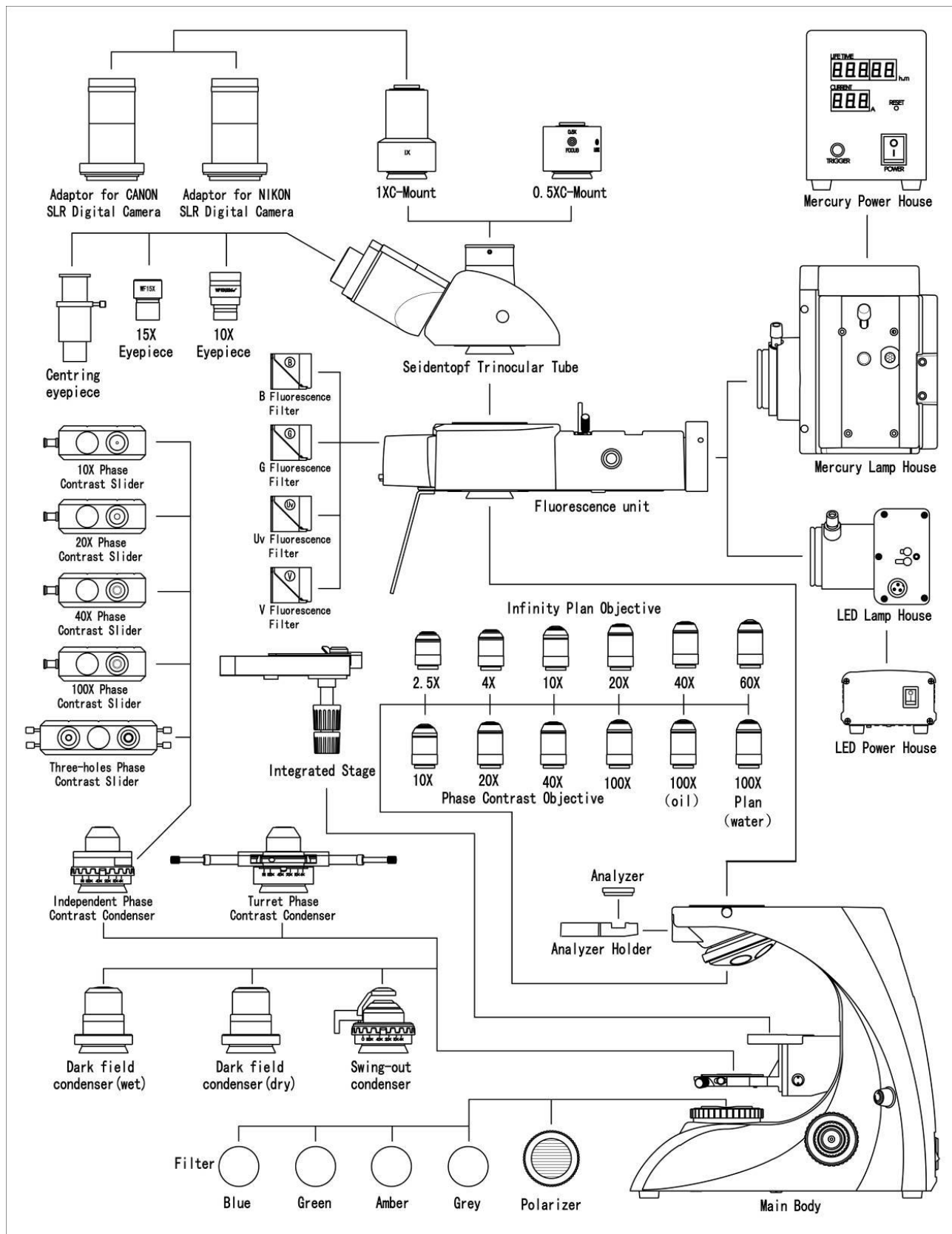
Stage	Rackless Double Layers Mechanical stage, Size: 182mm×140mm, Travel Range: 77mm×52mm, Scale: 0.1mm, Two Slide Holder	●	●
Condenser	Swing out condenser N.A.0.9/0.13, with iris diaphragm	●	●
Focusing	Coaxial Coarse and Fine Focusing Knob, Coarse Focusing Travel Range: 25mm, Coarse Stroke 42.4mm/rotation, Fine Stroke 0.2mm/Rotation, Fine division: 2μm	●	●
Koebler Illumination	6V/30W Halogen Lamp with Field Diaphragm, Brightness Adjustable	●	●
	3W LED Illumination with Field Diaphragm, Brightness Adjustable	○	○
Dark Field Unit	Dark field condenser (Dry), apply to 4×- 40× objective	○	○
	Dark Field Condenser (Oil), apply to 100× objective	○	○
Polarizing Unit	Analyzer and Polarizer	○	○
Phase Contrast Unit	Quintuple hole turret unit with 10×/20×/40×/100× phase contrast objective	○	○
	Independent slot with 10×/20×/40×/100× phase contrast objective	○	○
Fluorescent Attachment	100W Mercury Epi-Fluorescence unit (Six-hole disc, Uv/V/B/G and another filters)	○	○
	3W LED Epi-Fluorescence unit (Six-hole disc, Uv/V/B/G and another filters)	○	○
Video Adapter	1× C-mount (Used for DSLR cameras or large format microscope camera)		○
	0.5× C-mount (focus adjustable, used for microscope camera)		●
Photo Adapter	Used for CANON / NIKON / OLYMPUS/ SONY DLSR cameras		○
Filter	Blue	●	●
	Green/ Amber/Grey	○	○
Power Supply	Wide voltage input: 100V~240V	●	●
Packing	1 carton/set, Packing Size: 565mm × 310mm × 410mm, Gross Weight: 12 kgs, Net Weight: 10 kgs	●	●

Note: ●Standard Outfit, ○Optional

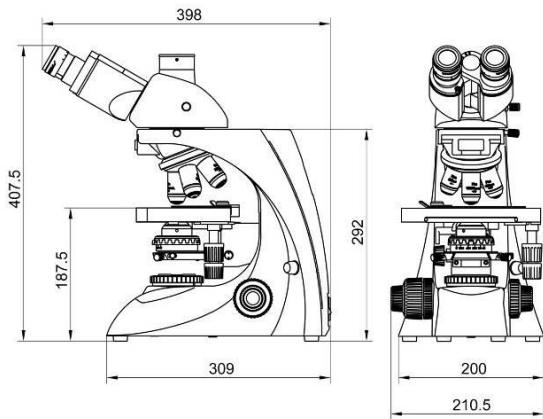
Sample Image



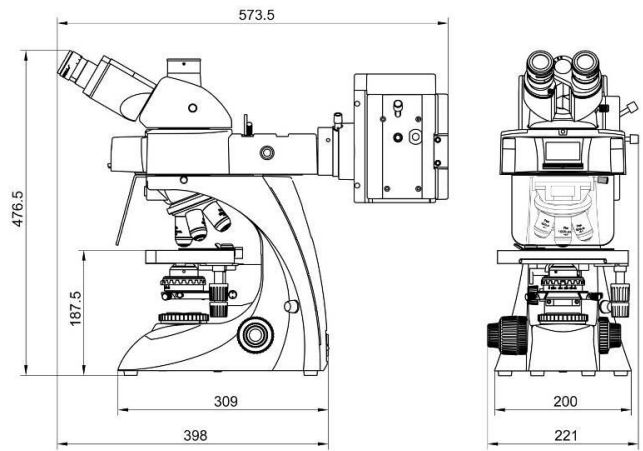
System Diagram



Dimension



BS-2063T Dimension



BS-2063FT Dimension