

## BS-2082 Research Biological Microscope



BS-2082



BS-2082F



BS-2082MH10

### Introduction

After years of research and development in optical technology field, BS-2082 biological microscope is designed to present a safe, comfortable and efficiency observation experience for users. With perfectly performed structure, high-definition optical image and simple operating system, BS-2082 realizes professional analysis, and meets all the needs of research in scientific, medical and other fields.

### Features

1. High eye point wide field plan eyepiece.

The eyepiece field of view has been upgrade from traditional 22mm to 25mm and 26.5mm, provide more flat field of view and improve working efficiency. With wider diopter adjustment range and foldable rubber eye guard.



### 2. Viewing head with multi-splitting ratio.

The viewing head is designed of multiple options for splitting ratio.

(1) Trinocular head with inverted image, splitting ratio Binocular: Trinocular=100:0 or 20:80 or 0:100 is standard. Except for concentrating 100% light to eyepiece tube or camera tube, there is another option with 20% light to eyepiece tube and 80% to camera tube, so that eyepiece observation and image output can be available at the same time.

(2) Trinocular head with erected image, splitting ratio Binocular:Trinocular=100:0 or 0:100 is optional. The moving direction of samples is the same as observed.



### 3. Large size rackless stage for both hands.

Large stage with adjustment in either hand In order to correct the hidden danger of horizon guide rail, the stage is designed with double-way linear driving mechanism. This change protects the stage from overload at the end of both rails, improves the reliability and performance of the stage.

The handle of the stage can be set at each side based on users' preference. The X, Y biaxial adjustment are designed with low position for comfortable operation.

Two slices can be hold on the stage by using damping-type double clips, easy for comparative study. Moving range: 80mm X55mm; precision: 0.1mm. Processed with special craft, the surface of the stage is anti-corrosive

and anti-friction. The platform with an arc transition design reduces the stress concentration and damage from impact.

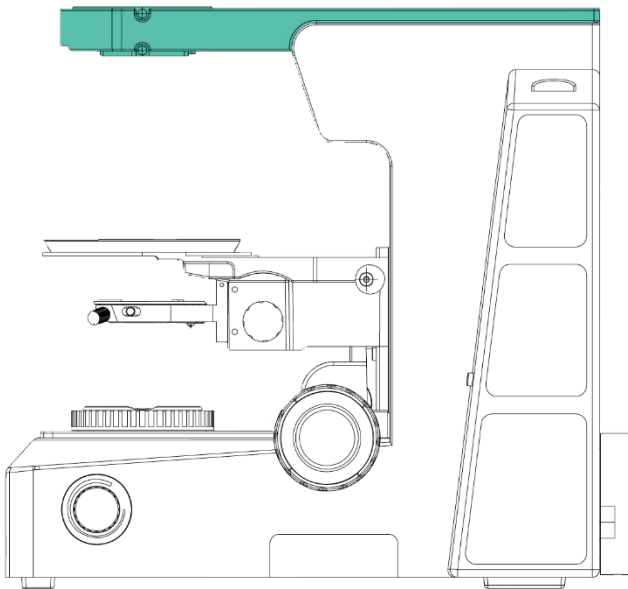


**4. Modular frame, improve the system compatibility.**

With modularization design, separated cross arm and main body, improves the system compatibility of biological and fluorescence frame.

**5. Highly sensitive coaxial coarse and fine adjustment system.**

Coaxial adjustment adopts double-stage driving, with adjustable tension tightness and upper limit stop, coarse range is 25mm and fine precision is 1 $\mu$ m. Not only accurately focus but also precision measurement is available.



**Application**

This microscope is an ideal instrument in biological, histological, pathological, bacteriology, immunizations and pharmacy field and can be widely used in medical and sanitary establishments, laboratories, institutes, academic laboratories, colleges and universities.

**Specification**

Item	Specification	BS-2082	BS-2082F	BS-2082 MH10
Optical System	Infinite color corrected optical system	●	●	●
Viewing Head	Seidentopf trinocular head(Inverted image), 30° inclined, interpupillary distance: 50mm-76mm; splitting ratio Eyepiece:Trinocular=100:0 or 20:80 or 0:100	●	●	●
	Seidentopf trinocular head(Erected image), 30° inclined , interpupillary distance: 50mm-76mm; splitting ratio Eyepiece:Trinocular=100:0 or 0:100	○	○	○
Eyepiece	High eyepoint wide field plan eyepiece PL10X/25mm, diopter adjustable	●	●	●
	High eyepoint wide field plan eyepiece PL10X/25mm, with reticle, diopter adjustable	○	○	○
	High eyepoint wide field plan eyepiece PL10X/26.5mm, diopter adjustable	○	○	○
	High eyepoint wide field plan eyepiece PL10X/26.5mm, with reticle, diopter adjustable	○	○	○
Objective	Plan semi-apochromatic fluorescent objective 4X/0.13(infinity), WD=18.5mm	●	●	●
	Plan semi-apochromatic fluorescent objective 10X/0.30(infinity), WD=10.6mm	●	●	●
	Plan semi-apochromatic fluorescent objective 20X/0.50(infinity), WD=2.33mm	●	●	●
	Plan semi-apochromatic fluorescent objective 40X/0.75(infinity), WD=0.6mm	●	●	●
	Plan semi-apochromatic fluorescent objective 100X/1.30(infinity), WD=0.21mm	●	●	●
Nosepiece (with DIC slot)	Backward Quintuple Nosepiece	○	○	○
	Backward Sextuple Nosepiece	●	●	●
	Backward Septuple nosepiece	○	○	○
Frame	Biological frame (transmitted), low-position coaxial coarse and fine adjustment, coarse adjustment distance: 25mm; fine precision: 0.001mm. With coarse adjustment stop and tightness adjustment. Built-in 100-240V_AC50/60Hz wide voltage transformer, intensity adjustable by digital set and reset; built-in transmitted filters LBD/ND6/ND25)	●		●
	Fluorescence frame (transmitted), low-position coaxial coarse and fine adjustment, coarse adjustment distance: 25mm; fine precision: 0.001mm. With coarse adjustment stop and tightness adjustment. Built-in 100-240V_AC50/60Hz wide voltage transformer, intensity	○	●	○

	adjustable by digital set and reset; built-in transmitted filters (LBD/ND6/ND25)			
Stage	Double layers mechanical stage, size: 187mm X168mm; moving range: 80mm X55mm; precision: 0.1mm; two-way linear drive, tension adjustable	●	●	●
Condenser	Swing-out type achromatic condenser (N.A.0.9)	●	●	●
Reflected fluorescence illuminator	Sextuple reflected fluorescence illuminator with iris field diaphragm and aperture diaphragm, central adjustable; with filter slot and polarizing slot; with fluorescence filters (UV/B/G for option).	○	●	○
	100W mercury lamp house, filament center and focus adjustable; with reflected mirror, mirror center and focus adjustable. (75W xenon lamp house for option)	○	●	○
	Digital power controller, wide voltage 100-240VAC	○	●	○
	Imported OSRAM 100W mercury lamp.( OSRAM 75W xenon lamp for option)	○	●	○
Transmitted Illumination	12V/100W halogen lamp house for transmitted light, center pre-set, intensity adjustable	●	●	●
Other Accessories	Camera adapter: 0.5X/0.65X/1X focusing C-mount	○	○	○
	Cooled CCD camera, SONY 2/3", 1.4MP, ICX285AQ Color CCD	○	○	○
	Centering objective for fluorescence observation	○	○	○
	Calibration slide 0.01mm	○	○	○
	Multi Viewing Attachment for 5 persons	○	○	●
	DIC Attachment	○	○	○

Note: ● Standard Outfit, ○ Optional

### Sample Image

