

## BS-3080 Parallel Light Zoom Stereo Microscope



BS-3080A



BS-3080B

### Introduction

BS-3080 is a research level zoom stereo microscope with infinite parallel Galileo optical system. Based on Galileo optical system and Apochromatic objective, it can provide real and perfect microscopic images on details. The excellent ergonomics and user-friendly operating system can truly allow users to experience a simple and comfortable work. The Mirror in the base of BS-3080A can be 360 ° rotatable to achieve the best observation results. BS-3080 can meet the research demands of life sciences, biomedicine, microelectronics, semiconductors, materials science and other fields of research needs.

### Feature

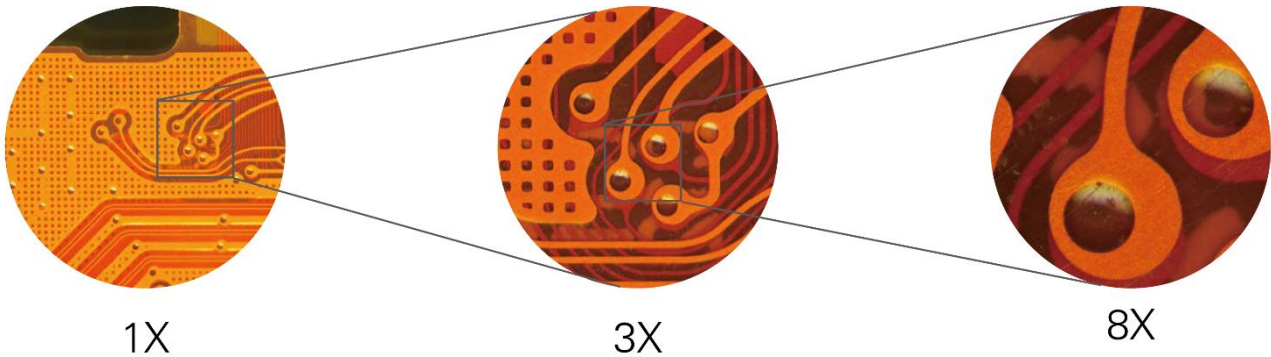
#### 1. BS-3080A has tilting viewing head for comfortable operation.

BS-3080A has tilting viewing head from 5 to 45 degrees, can be flexibly adjusted for different operators with different posture.



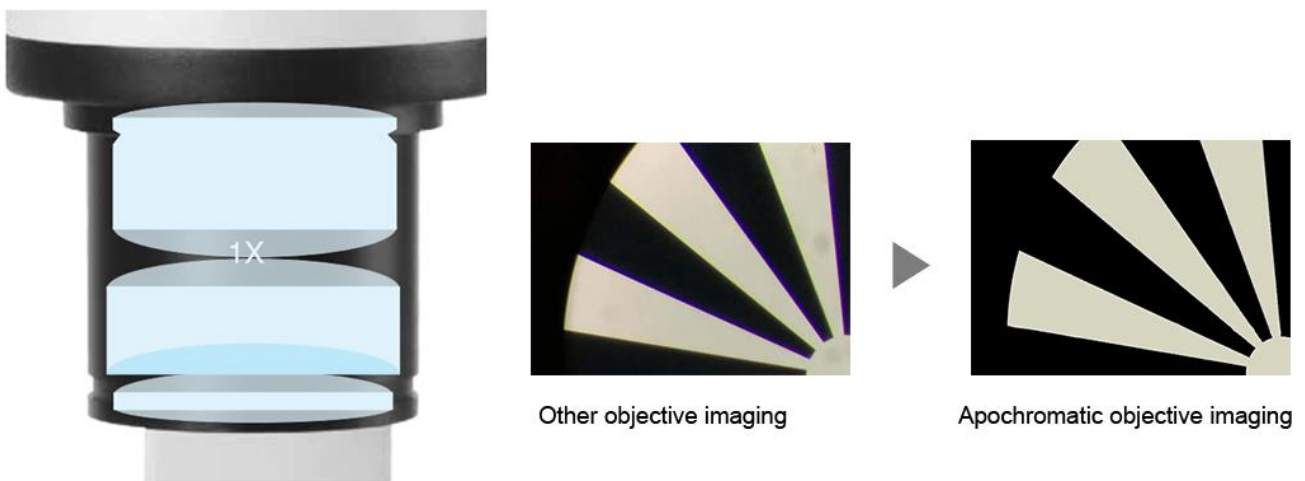
**2. Large zoom ratio 12.5:1.**

BS-3080 has large zoom ratio of 12.5:1, zoom range from 0.63X to 8X, with click stop for main magnifications, the images remain clear and smooth during zoom magnifying.



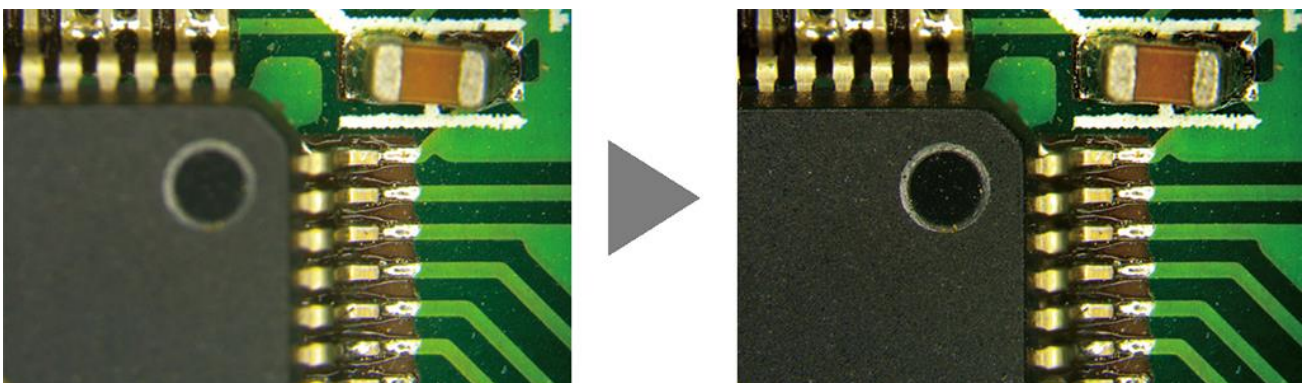
**3. Achromatic objective.**

Achromatic design has significantly improved the color reproduction of the objective. Correcting the axial chromatic aberration of red/green/blue/purple, and converge them on a focal plane, the objective is able to present the real color of the samples. 0.5X, 1.5X, 2X achromatic objectives are optional.



**4. Aperture diaphragm adjustment.**

Shift the aperture diaphragm lever in front of the microscope to adjust depth of field for high-quality image.



**5. The stand of BS-3080B has color temperature adjustable function.**

The BS-3080B has an LCD screen on the base that displays brightness and color temperature. Color temperature adjustable function allows this microscope to meet different observation and scientific research needs, and can

obtain better observation results.



Yellow Color (Min. 3000K)



White Color (Max. 5600K)

Color temperature and brightness can be adjusted

## Application

BS-3080 has great value in a variety of applications such as life science and medical research, including dissection, IVF, biological experiment, chemical analysis and cell culture. It also can be used in Industrial areas for PCB, SMT surface, electronics inspection, semiconductor chip inspection, metal and materials testing, precision parts testing, coin collecting, gemology and gemstone setting, engraving, repair and inspection of small parts.

## Specification

Item	Specification	BS-3080A	BS-3080B
Optical System	Infinite Parallel Galileo Zoom Optical System	●	●
Viewing Head	Tilting trinocular viewing head, 5-45 degree adjustable; binocular: trinocular=100:0 or 0:100; interpupillary distance 50-76mm; fixed eyepiece tube with lock screw	●	○
	30 degree inclined trinocular head; fixed light distribution, binocular: trinocular=50: 50; interpupillary distance 50-76mm; fixed eyepiece tube with lock screw	○	●
Eyepiece	High eye-point wide field plan eyepiece PL10×/22mm, diopter adjustable	●	●
	High eye-point wide field plan eyepiece PL15×/16mm, diopter adjustable	○	○
	High eye-point wide field plan eyepiece PL20×/12mm, diopter adjustable	○	○
Zoom Range	Zoom range: 0.63X-8X, click stop for 0.63×, 0.8×, 1×, 1.25×, 1.6×, 2×, 2.5×, 3.2×, 4×, 5×, 6.3×, 8×, with built-in aperture diaphragm	●	●
Objective	Plan Apochromatic Objective 0.5×, W.D.: 70.5mm	○	○
	Plan Apochromatic Objective 1×, W.D.: 80mm	●	●
	Plan Apochromatic Objective 1.5×, W.D.: 31.1mm	○	○
	Plan Apochromatic Objective 2×, W.D.: 20mm	○	○
Zoom Ratio	1: 12.5	●	●
Nosepiece	Nosepiece for 2 objectives	○	○
Focusing Unit	Coarse and fine coaxial focus system, integrated body with focus holder, coarse range: 50mm, fine precision 0.002mm	●	●
Coaxial Illumination	Intermediate magnification 1.5x, with 1/4λ glass slide, can be rotated 360	○	○

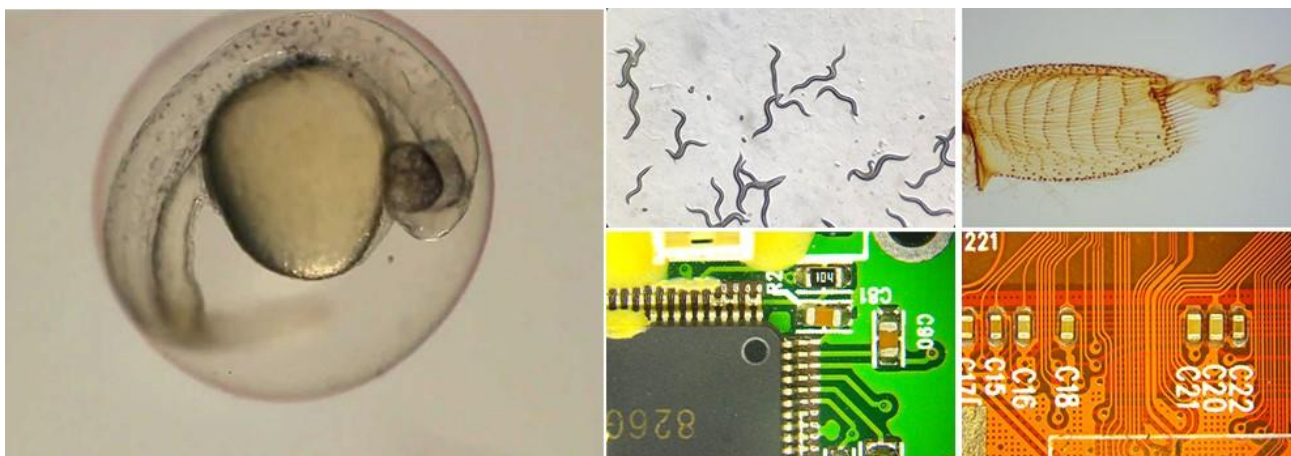
	degrees, 20W LED cold light source power box, with brightness adjustment knob, flexible dual optical fiber, length 1 meter		
Base	Flat base, without light source, with $\Phi 100$ mm black and white plate	○	○
	Plan base with transmitted illumination (work with external 5W LED fiber); built-in 360 degree rotatable mirror, location and angle adjustable	●	
	Ultra-thin base, multiple LEDs (total power 5W), base with color temperature display and brightness display (color temperature range: 3000-5600K)		●
Illumination	5W LED light box (size: 270×100×130mm) with single fiber (500mm), color temperature 5000-5500K; operating voltage 100-240VAC/50-60Hz, output 12V	●	
	LED Ring light (200pcs LED lamps)	○	○
Camera Adapter	0.5×/0.65×/1× C-mount adapters	○	○
Packing	1set/carton, Net/Gross weight: 14/16kg, Carton size: 59×55×81cm	●	●

Note: ● Standard Outfit, ○ Optional

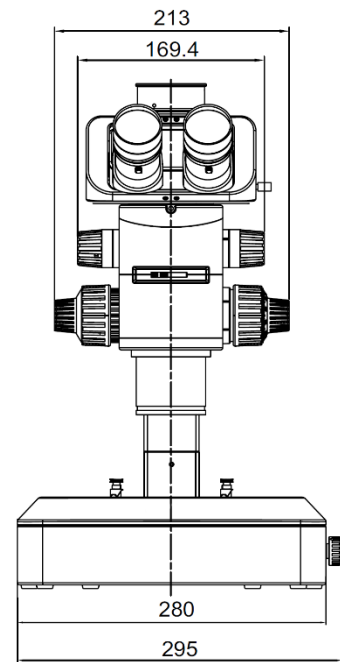
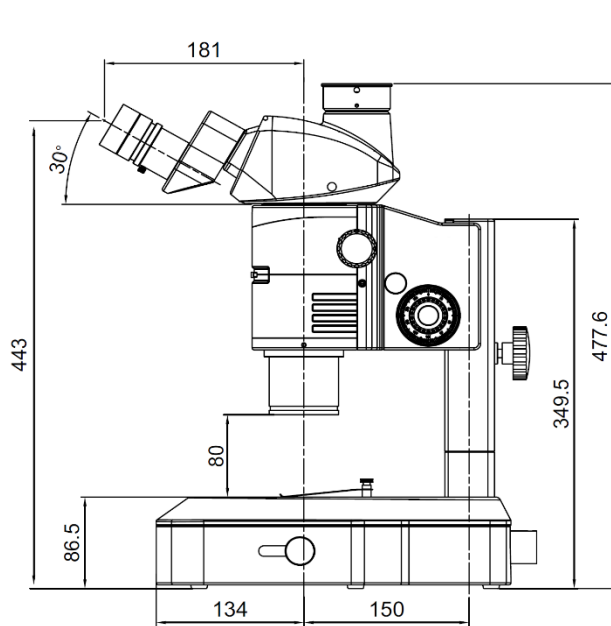
### Optical Parameters

Eyepiece	10×/22mm		15×/16mm		20×/12mm	
	Total Mag.	FOV(mm)	Total Mag.	FOV(mm)	Total Mag.	FOV(mm)
0.5×	3.15×-40×	69.84-5.5	4.73×-60×	50.79-4.0	6.3×-80×	38.10-3.0
1.0×	6.3×-80×	34.92-2.75	9.45×-120×	25.40-2.0	12.6×-160×	19.05-1.5
1.5×	9.45×-120×	23.28-1.83	14.18×-180×	16.93-1.33	18.9×-240×	12.70-1.0
2.0×	12.6×-160×	17.46-1.38	18.9×-240×	12.70-1.0	25.2×-320×	9.52-0.75

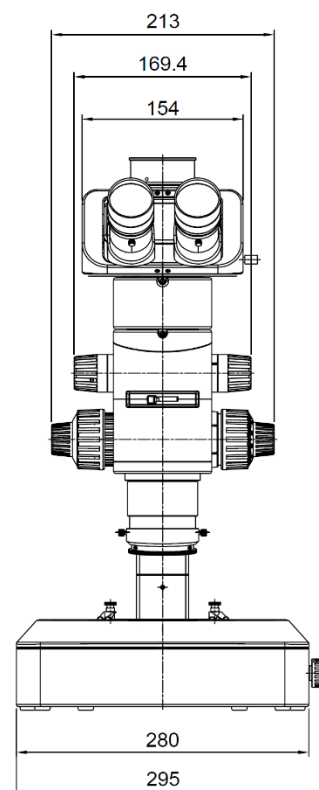
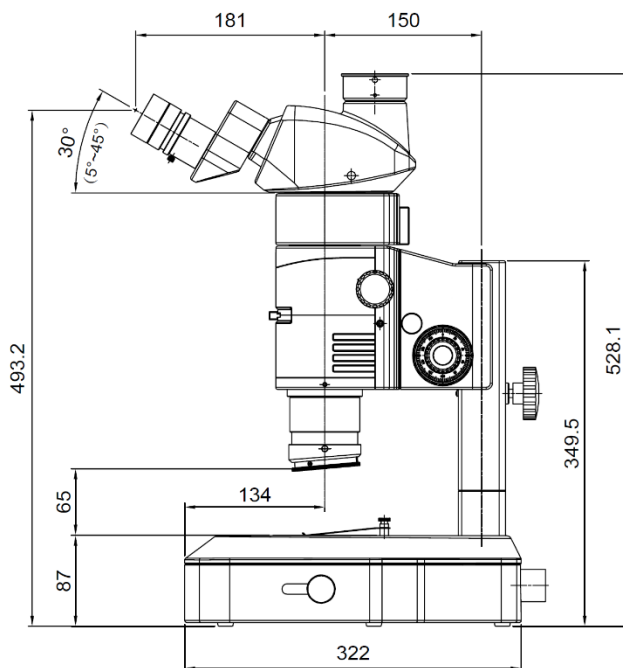
### Sample Image



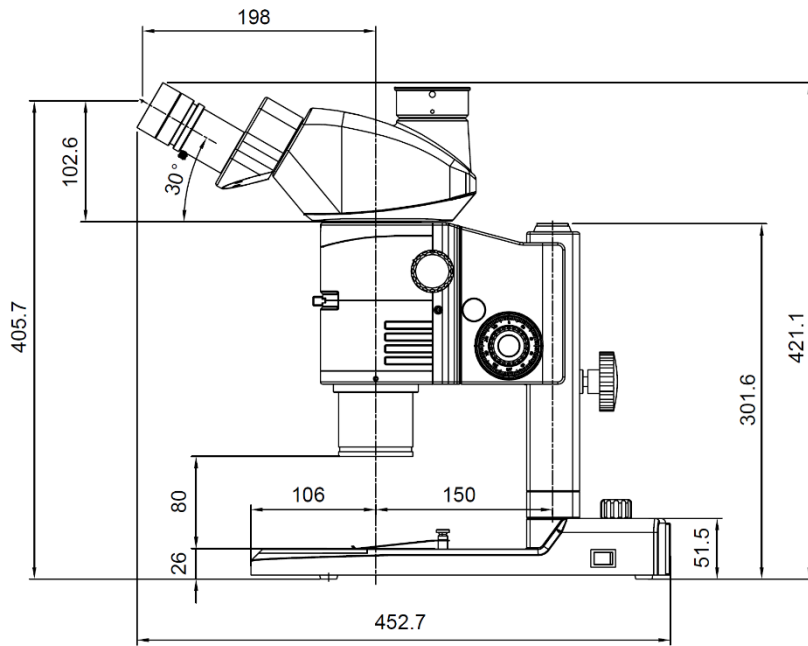
Dimension



BS-3080A



BS-3080A with coaxial illumination device



BS-3080B

Unit: mm