

BS-5000 Series Polarizing Microscope

1. BS-5040 Polarizing Microscope.....	2
2. BS-5062 Polarizing Microscope.....	4
3. BS-5070 Polarizing Microscope.....	10
4. BS-5092 Polarizing Microscope.....	13
5. BS-5092RF/TRF Polarizing Microscope.....	15
6. BS-5095 Research Polarizing Microscope	18

1. BS-5040 Polarizing Microscope



BS-5040B



BS-5040T

Introduction

The BS-5040 series transmitted polarizing microscopes are equipped with a smooth, rotating, graduated stage and a set of polarizers that allow observation of all types of transmitted light polarized specimens such as thin sections of minerals, polymers, crystals and particulates. It is equipped with an infinite optical system, a comfortable viewing head and a set of Strain-free Infinite Plan Objectives which offers a magnification range of 40X – 400X. Digital camera can be used together with BS-5040T for image analysis.

Feature

1. Color Corrected Infinite Optical System.
2. Infinite Strain-free Plan Objectives, ensuring excellent resolution and clarity.
3. Center adjustable nosepiece and center adjustable rotating platform make the operation more accurate and reliable.

Application

The BS-5040 series polarizing microscopes are specifically designed for geology, minerals, metallurgy, university teaching laboratories and other sectors. They also can be used in chemical fiber industry, semiconductor industry and the pharmaceutical inspection industry.

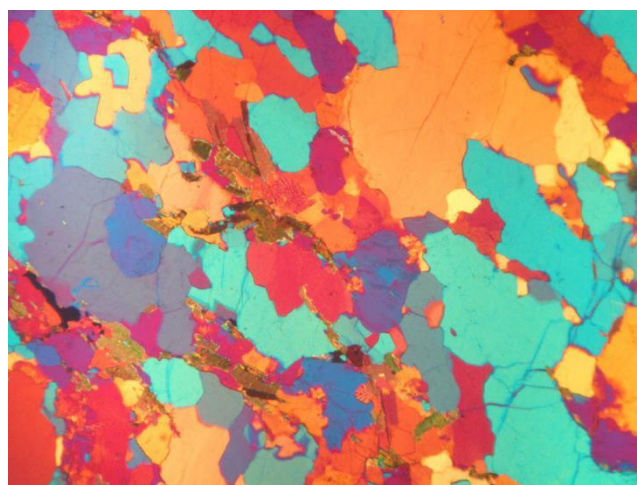
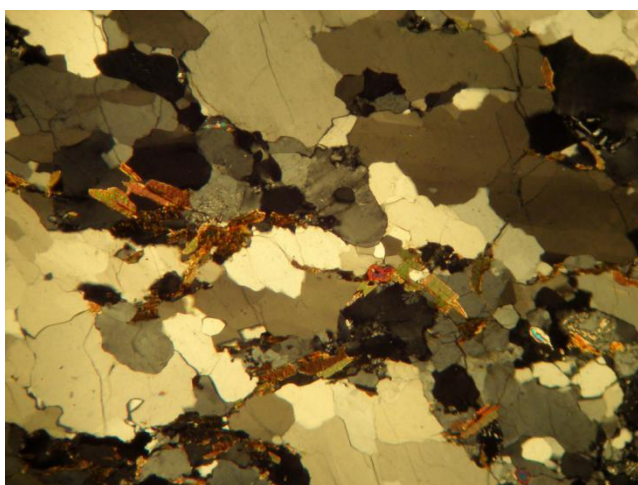
Specification

Item	Specification	BS-5040B	BS-5040T
Optical System	Color Corrected Infinite Optical System	•	•
Viewing Head	Seidentopf Binocular Head, Inclined 30°, Rotatable 360°, Interpupillary Distance: 48-75mm.	•	
	Seidentopf Trinocular Head, Inclined 30°, Rotatable 360°, Interpupillary Distance: 48-75mm. Light Distribution: 20:80		•
Eyepiece	WF 10×/18mm	•	•
	WF 10×/18mm (Reticule 0.1mm)	•	•

Objective	Strain-free Infinite Plan Objective	4×	●	●
		10×	●	●
		20× (S)	●	●
		40× (S)	●	●
		60× (S)	○	○
Nosepiece	Center Adjustable Quadruple Nosepiece	●	●	
Focusing	Coaxial Coarse & Fine Focusing knobs, Travel Range: 26mm, Scale:2um	●	●	
Analyzing Unit	0-90°, it can be moved out of the optical path for single polarizing observe	●	●	
Bertrand Lens	It can be moved out of the optical path	●	●	
Optical Compensator	λ Slip, First Class Red	●	●	
	1/4 λ Slip	●	●	
	(I -IV Class) Quartz Wedge	●	●	
Stage	360° Rotatable Round Stage, Center Adjustable, Division 1°, Vernier division 6', can be locked, stage diameter 146mm	●	●	
	Polarizing Attached Mechanical Stage	○	○	
Condenser	Abbe N.A. 1.25 Strain-free condenser	●	●	
Polarizing Unit	With Scale Rotatable 360°, Can Be Locked, It can be moved out of the optical path	●	●	
Illumination	6V/20W Halogen Lamp	●	●	
	6V/30W Halogen Lamp	○	○	
Filter	Blue(Built in)	●	●	
	Amber	○	○	
	Green	○	○	
	Neutral	○	○	
C-mount	1×		○	
	0.5× (Focus adjustable)		●	
Package	1pc/carton, 57×27.5×45cm, Gross Weight: 8.6 kgs	●	●	

Note: ● Standard outfits, ○ Optional.

Sample Image



2. BS-5062 Polarizing Microscope



BS-5062B



BS-5062BR



BS-5062BTR



BS-5062T



BS-5062TR



BS-5062TTR

Introduction

BS-5062 series polarizing microscopes feature a highly robust construction and first class optics to provide a long life and excellent quality images. Accessories like Gypsum slide, Mica slide, Quartz wedge and Mechanical stage are available. The microscopes are specifically designed for geology, minerals and material areas. They also can be used in chemical fiber, semiconductor and pharmaceutical industries.

Feature

1. Excellent Infinite Optical System.
2. Widely used in geology, Mineralogy, Fossil fuel exploration.
3. Single polarization, othorgonal polarization or conoscopic observation is available.



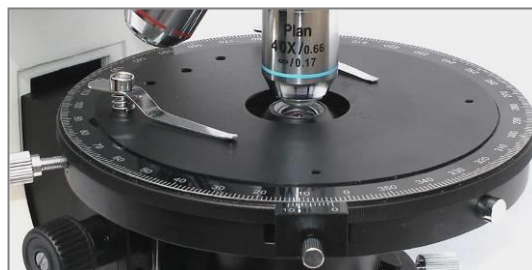
Professional dedicated polarizing binocular / trinocular head can keep the cross in the right-hand eyepiece always same when the eyepiece tubes turned.



Bertrand lens
360° rotatable analyzer(with division, can be locked), can be moved out of the light path.



Centering Nosepiece



Centering Revolving Round Stage



Polarizer



Swing-out Condenser



Compensator



Polarizing Attached Mechanical Stage

Application

BS-5062 series polarizing microscopes are ideal instrument in geology, petroleum, coal, mineral, chemicals, semiconductor and pharmaceutical inspection fields. They are widely used in academic demonstration and scientific research areas.

Specification

Item	Specification	BS-5062B	BS-5062BR	BS-5062BTR
Optical System	Infinite Optical System	•	•	•
Viewing Head	Seidentopf Binocular Head, inclined at 30°, 360° Rotatable, Interpupillary Distance: 48-76mm.	•	•	•
	Seidentopf Trinocular Head, inclined at 30°, 360° Rotatable, Interpupillary Distance: 48-76mm, Light distribution (both) 100:0 (100% for eyepiece), 80:20 (80% for trinocular head and 20% for eyepiece)	○	○	○
Eyepiece	WF10×/22mm	•		
	WF10×/22 mm (Reticule 0.1mm)	•		

	WF10×/20 mm		•	•
	WF10×/20 mm (Reticule 0.1mm)		•	•
Infinite Strain Free Plan Achromatic Objective (Transmitted)	4×/0.10 W.D=12.1mm	•		•
	10×/0.25 W.D=4.64mm	•		•
	20×/0.40(S) W.D=2.41mm	•		•
	40×/0.66(S) W.D=0.65mm	•		•
	60×/0.80 (S) W.D=0.33mm	○		○
	100×/1.25 (S, Oil) W.D=0.12mm	○		○
LWD Infinite Strain Free Plan Achromatic Objective (Reflected)	5×/0.13 (S) W.D=24.23mm		•	○
	10×/0.25 (S) W.D=18.48mm		•	○
	20×/0.40 (S) W.D=8.35mm		•	○
	50×/0.70 (S) W.D=1.95mm		•	•
	100×/0.90 (S, Dry) W.D=1.1mm		○	○
Nosepiece	Backward Quintuple nosepiece, center adjustable	•	•	•
Analyzer Unit	Rotatable 360°, module type, can be locked	•	•	•
Bertrand Lens	Built In, Center Adjustable	•	•	•
Optical Compensator	λ Slip(First Class Red), 1/4λ Slip, Quartz Wedge (I - IV Class)	•	•	•
Revolving Round Stage	Diameter Φ156mm, Rotatable 360°, Center Adjustable, Division 1°, Vernier Division 6'	•	•	•
Attachable Mechanical Stage	Polarizing Attached Mechanical Stage with X-Y movement	○	○	○
Focusing	Coaxial Coarse & Fine Adjustment, Range 25mm, Fine Stroke 0.2mm, Fine Division 0.002mm	•	•	•
Swing-out Condenser	N.A.0.9/0.13 swing out condenser	•		•
Polarizing Unit	with Scale, Rotatable 360°, Can Be Locked	•		•
Transmitted Illumination	5W LED lamp (Input voltage:100V~240V)	•		•
	Koehler Illumination 6V/30W Halogen Lamp (Input voltage: 100V~240V)	○		○
Reflected Illumination	5W LED lamp (Input voltage:100V~240V)		•	•
	With field diaphragm, aperture diaphragm, polarizer, 12V/50W halogen lamp (Input voltage:100V~240V)		○	○
Filter	Blue	•	•	•
	Amber	○	○	○
	Green	○	○	○
	Neutral	○	○	○
C-mount	1× (Focus adjustable)	○	○	○
	0.75× (Focus adjustable)	○	○	○
	0.5× (Focus adjustable)	○	○	○
Packing	Packing size 565mm×310mm×410mm, Gross Weight 12.5kgs, Net Weight 10kgs	•		

	Packing size 750mm×360mm×450mm, Gross Weight 15kgs, Net Weight 11kgs		•	
	Packing size 750mm×360mm×450mm, Gross Weight 16kgs, Net Weight 12kgs			•

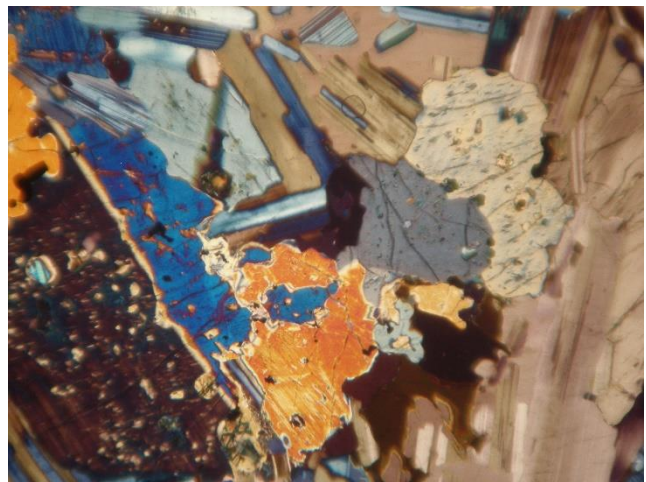
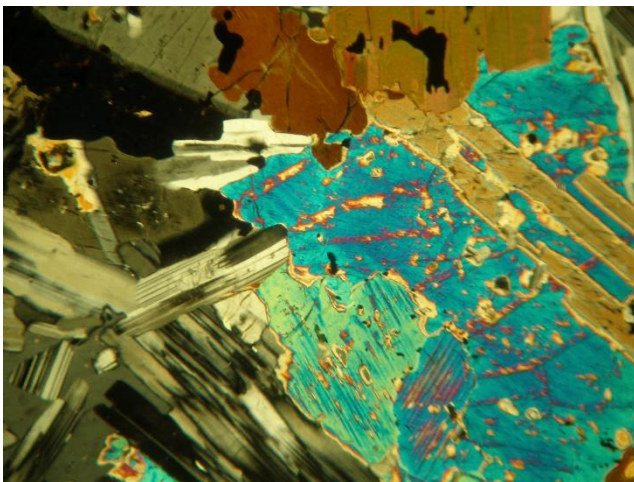
Note: ● Standard Outfit, ○ Optional

Item	Specification	BS-5062T	BS-5062TR	BS-5062TTR
Optical System	Infinite Optical System	●	●	●
Viewing Head	Seidentopf Binocular Head, inclined at 30°, 360° Rotatable, Interpupillary Distance: 48-76mm.	○	○	○
	Seidentopf Trinocular Head, inclined at 30°, 360° Rotatable, Interpupillary Distance: 48-76mm, Light distribution (both) 100: 0 (100% for eyepiece), 80:20 (80% for trinocular head and 20% for eyepiece)	●	●	●
Eyepiece	WF10×/22mm	●		
	WF10×/22 mm (Reticule 0.1mm)	●		
	WF10×/20 mm		●	●
	WF10×/20 mm (Reticule 0.1mm)		●	●
Infinite Strain Free Plan Achromatic Objective (Transmitted)	4×/0.10 W.D=12.1mm	●		●
	10×/0.25 W.D=4.64mm	●		●
	20×/0.40(S) W.D=2.41mm	●		●
	40×/0.66(S) W.D=0.65mm	●		●
	60×/0.80 (S) W.D=0.33mm	○		○
	100×/1.25 (S, Oil) W.D=0.12mm	○		○
LWD Infinite Strain Free Plan Achromatic Objective (Reflected)	5×/0.13 (S) W.D=24.23mm		●	○
	10×/0.25 (S) W.D=18.48mm		●	○
	20×/0.40 (S) W.D=8.35mm		●	○
	50×/0.70 (S) W.D=1.95mm		●	●
	100×/0.90 (S, Dry) W.D=1.1mm		○	○
Nosepiece	Backward Quintuple nosepiece, center adjustable	●	●	●
Analyzer Unit	Rotatable 360°, module type, can be locked	●	●	●
Bertrand Lens	Built In, Center Adjustable	●	●	●
Optical Compensator	λ Slip(First Class Red), 1/4λ Slip, Quartz Wedge (I - IV Class)	●	●	●
Revolving Round Stage	Diameter Φ156mm, Rotatable 360°, Center Adjustable, Division 1°, Vernier Division 6'	●	●	●
Attachable Mechanical Stage	Polarizing Attached Mechanical Stage with X-Y movement	○	○	○
Focusing	Coaxial Coarse & Fine Adjustment, Range 25mm, Fine Stroke 0.2mm, Fine Division 0.002mm	●	●	●
Swing-out Condenser	N.A.0.9/0.13 swing out condenser	●		●
Polarizing Unit	with Scale, Rotatable 360°, Can Be Locked	●		●

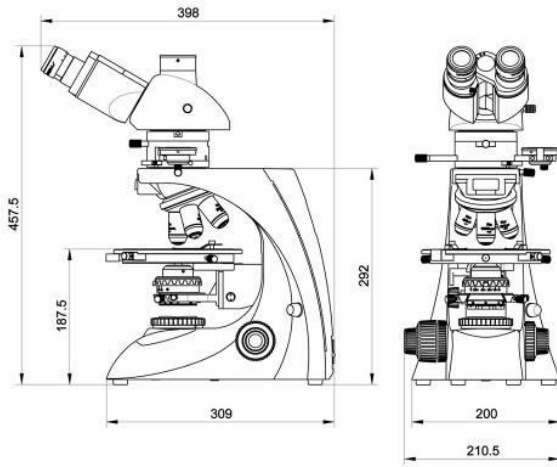
Transmitted Illumination	5W LED lamp (Input voltage:100V~240V)	●		●
	Koehler Illumination 6V/30W Halogen Lamp (Input voltage:100V~240V)	○		○
Reflected Illumination	5W LED lamp (Input voltage:100V~240V)		●	●
	With field diaphragm, aperture diaphragm, polarizer, 12V/50W halogen lamp (Input voltage:100V~240V)		○	○
Filter	Blue	●	●	●
	Amber	○	○	○
	Green	○	○	○
	Neutral	○	○	○
C-mount	1× (Focus adjustable)	○	○	○
	0.75× (Focus adjustable)	○	○	○
	0.5× (Focus adjustable)	○	○	○
Packing	Packing size 565mm×310mm×410mm, Gross Weight 12.5kgs, Net Weight 10kgs	●		
	Packing size 750mm×360mm×450mm, Gross Weight 15kgs, Net Weight 11kgs		●	
	Packing size 750mm×360mm×450mm, Gross Weight 16kgs, Net Weight 12kgs			●

Note: ● Standard Outfit, ○ Optional

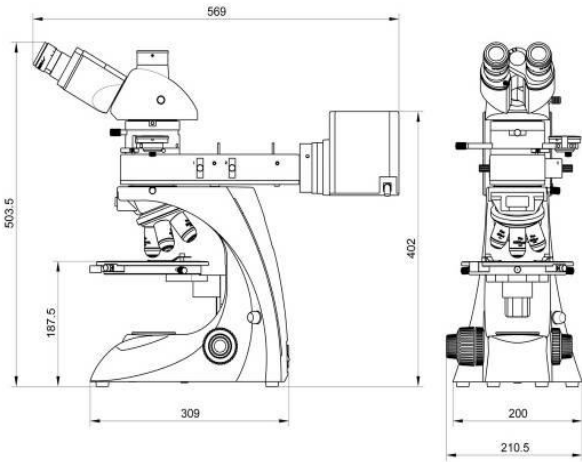
Sample Image



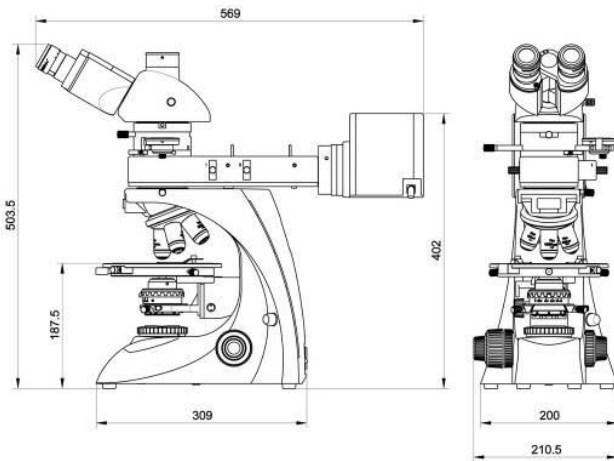
Dimension



BS-5062T



BS-5062TR



BS-5062TTR

3. BS-5070 Polarizing Microscope



BS-5070B



BS-5070BTR

Introduction

BS-5070 polarizing microscope features a highly robust construction and first class optics designed to provide a long life and excellent quality images. BS-5070BTR and BS-5070TTR have transmitted and reflected illumination system, which give a much better effect and wider application. The microscopes can be used for Single polarization, othogonal polarization and conoscopic observation. Digital camera can be used together with the microscope for image analysis. Accessories like Gypsum slide, Mica slide, Quartz wedge and Mechanical stage are available.

Feature

1. Excellent Infinite Optical System.
2. Widely used in geology, Mineralogy, Fossil fuel exploration.
3. Single polarization, othogonal polarization or conoscopic observation is available.
4. Transmitted and reflected illumination system of BS-5070BTR and BS-5070TTR offers a much better effect and wider application.
5. Attachable stage is optional.



Application

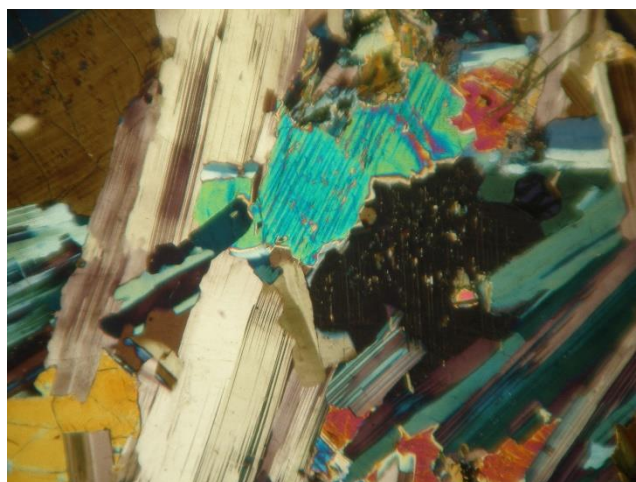
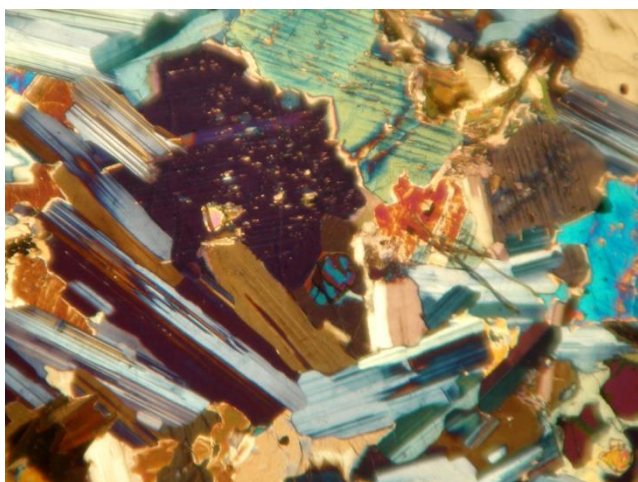
BS-5070 series polarizing microscopes are ideal instrument in geology, petroleum, coal, mineral, chemicals fiber, semiconductor and pharmaceutical industry for structure identify and analysis. They can be widely used in material research, academic demonstration, scientific research, university teaching laboratories and other sectors.

Specification

Item	Specification	BS-5070B	BS-5070BTR
Optical System	Infinite Optical System	●	●
Viewing Head	Seidentopf Binocular Head, inclined at 30°, 360° Rotatable, Interpupillary Distance: 48-75mm	●	●
	Seidentopf Trinocular Head, inclined at 30°, 360° Rotatable, Interpupillary Distance: 48-75mm, Light Distribution: 20:80	○	○
Eyepiece	WF10×/ 20mm	●	●
	WF10×/ 20mm with cross hair	●	●
	WF10×/ 20mm with scale of cross hair	●	●
Infinite strain free plan achromatic objective	Objective 4×, 10× for Reflected/Transmitted System	●	●
	Objective 20×, 40×, 60× for Transmitted System	●	●
	Objective 100× for Transmitted System	○	○
	Objective 20×, 40×, 60×, 100× for Reflected System		○
Nosepiece	Backward quadruple nosepiece, center adjustable	●	●
Epi-Illumination	12V/50W halogen lamp with iris aperture diaphragm and iris field diaphragm, brightness adjustable		●
Analyzer	Rotatable analyzer with gradation 0°-360°	●	●
Bertrand Lens	Bertrand lens, focus/center adjustable, sliding in/out of optical path	●	●
Optical Compensator	λ Slip (first class red), 1/ 4 λ Slip, Quartz wedge	●	●
Revolving Round Stage	Diameter Φ 160mm, Graduated in 1° increments, Minimum resolution 6' when using vernier scale	●	●
Condenser	NA 0.9 Abbe Condenser with Iris Diaphragm	●	●
Focusing	Coaxial Coarse & Fine Adjustment, Range 24mm, Fine Division 0.002mm	●	●
Polarizer	360° Rotatable with Filter	●	●
Transmitted Illumination	12V/ 20W Halogen Lamp, Brightness Adjustable	●	●
Accessories	C- Mount 0.4×	○	○
	2× SLR Camera adapter for Nikon or Canon DSLR camera	○	○
	Mechanical stage, moving range 30×40mm	○	○
	Specimen presser	○	○
	Micrometer 0.01mm	●	●
	Filter	●	●

Note: ● Standard Outfit, ○ Optional

Sample Image



4. BS-5092 Polarizing Microscope



BS-5092

Introduction

BS-5092 polarizing microscope is specifically designed for university colleges, geology, mining, metallurgy, pharmacy and other institutions for teaching, research and production. It can be used to analyze and identify various minerals and specimens, it can also be used to inspect chemical fiber, semiconductor products and medicines. Users can do single-polarized observation, orthogonal polarization observation, conoscopic observation and photography with the microscope. This microscope is a set of powerful and good quality polarizing microscope.

Feature

1. Supply high quality and contrast image with special strain free objectives.
2. Can be used for single polarization, othorgonal polarization and conoscopic observation.
3. Transmitted illumination, 24V/100W long life halogen lamp.
4. Stage with 45°located, attachable mechanical stage with large moving range, no interference when change objectives.
5. Gypsum λ plate, mica $\lambda/4$ plate, quartz wedge plate are equipped.

Application

BS-5092 polarizing microscope can be used for geology, petroleum, chemicals, mining, metallurgy, pharmacy, polymer, LED and other field. It can be used in university colleges, industrial laboratories and other institutions for teaching, research and production.

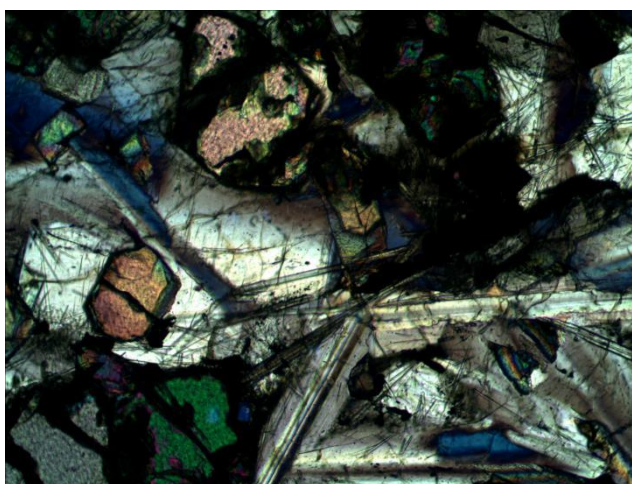
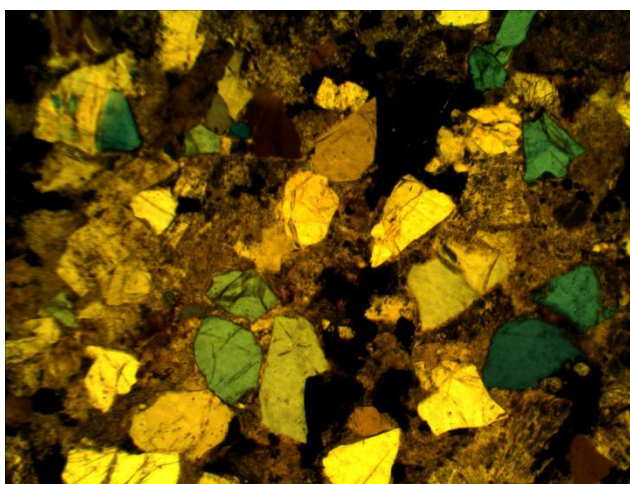
Specification

Item	Specification	BS-5092
Optical System	Infinite Optical System	●
Viewing Head	Seidentopf trinocular head, Inclined at 30°, Interpupillary 48-75mm	●
Eyepiece	Plan eyepiece EW10×/22mm	●

	Plan eyepiece with scale of crosshair, crosshair, gridding	●
Strain-Free Plan Achromatic Objective	4x/0.10/∞/-, WD 17.3mm	●
	10x/0.25/∞/0.17, WD 10.0mm	●
	20x/0.40/∞/0.17, WD 5.10mm	○
	40x/0.65/∞/0.17, WD 0.54mm	●
	100x/1.25/∞/0.17, WD 0.13mm	●
Nosepiece	Backward quintuple nosepiece, Center adjustable	●
Analyzer	0°-360° rotatable analyzer with gradation, minimum gradation: 0.1° (Vernier scale)	●
Conoscopic Observation	Switch between orthoscopic and conoscopic observation, Bertrand lens position adjustable	●
Optical Compensator	λ plate (first class red), 1/ 4λ plate, quartz wedge plate	●
Polarizing Rotatable Stage	Diameter Φ170mm, center adjustable, 360° scale, minimum division 1°, minimum reading vernier scale 6', 45° click stop knob	●
Attachable Stage	Moving range 30mm×40mm	○
Condenser	Strain free swing out condenser NA0.9/0.25	●
Focusing	Coaxial coarse & fine adjustment, range 32mm, fine division 0.001mm, coarse stroke 37.7mm per rotation, Fine stroke 0.1mm per rotation	●
Polarizer	360° Rotatable, 0° position adjustable	●
Illumination	Transmitted light: 24V/100W Halogen lamp, brightness adjustable	●
Filter	Blue filter Φ45mm	●
	ND6 Neutral density filter Φ45mm	○
	ND25 Neutral density filter Φ45mm	○
Attachment	Video attachment	○
	0.01mm micrometer	○

Note : ● Standard Outfit, ○ Optional

Sample Image



5. BS-5092RF/TRF Polarizing Microscope



BS-5092TRF

Introduction

BS-5092 series transmitted and (or) reflected polarizing microscopes are specifically designed for university colleges, geology, mining, metallurgy, pharmacy and other institutions for teaching, research and production. They can be used to analyze and identify various minerals and specimens, they can also be used to inspect chemical fiber, semiconductor products and medicines. Users can do single-polarized observation, orthogonal polarization observation, conoscopic observation and photography with the microscope. Gypsum λ plate, mica $\lambda/4$ plate, quartz wedge plate and moving stage, wrenches come with the microscope. This microscope is a set of powerful and good quality polarizing microscope.

Feature

1. Trinocular head, digital cameras can be easily used on this microscope for image and video taking.
2. Supply high quality and contrast image with special strain free objectives.
3. Can be used for single polarization, orthogonal polarization and conoscopic observation.
4. Transmitted and (or) reflected illumination, 24V/100W long life halogen lamp.
5. Stage with 45° located, attachable mechanical stage with large moving range, no interference when change objectives.
6. Gypsum λ plate, mica $\lambda/4$ plate, quartz wedge plate are equipped.
7. High quality professional polarizing microscope for geology, petroleum, chemicals, mining, metallurgy, pharmacy, polymer, LED and other field.

Application

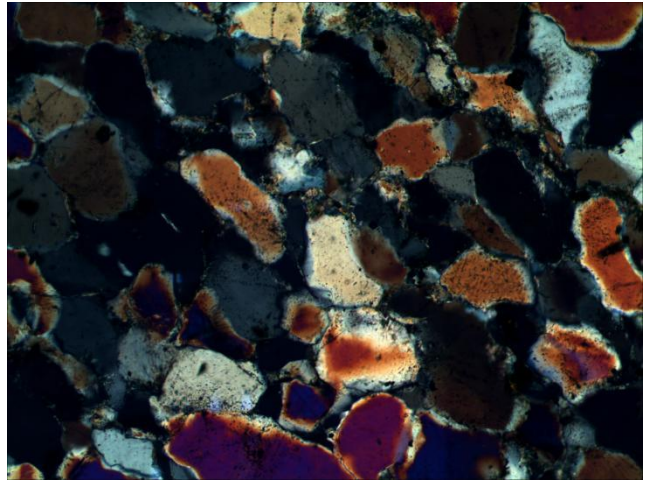
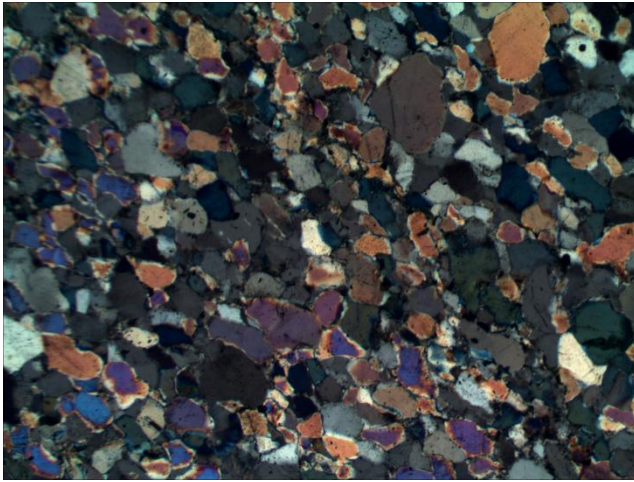
BS-5092 series transmitted and (or) reflected polarizing microscopes can be used for university colleges, geology, mining, metallurgy, pharmacy and other institutions for teaching, research and production.

Specification

Item	Specification	BS-5092RF	BS-5092TRF
Optical System	Infinite Optical System	●	●
Viewing Head	Seidentopf trinocular head, Inclined at 30°, Interpuillary 48-75mm	●	●
Eyepiece	Plan eyepiece EW10×/22mm	●	●
	Plan eyepiece with scale of crosshair, Plan eyepiece with crosshair, Plan eyepiece with gridding	●	●
Strain-Free Plan Achromatic Objective	5×/0.12/∞/-, WD 15.5mm	●	●
	10×/0.25/∞/-, WD 10.0mm	●	●
	20×/0.4/∞/0, WD 5.8mm	●	●
Objective	50×/0.75/∞/0, WD 0.32mm	●	●
	100×/0.8/∞/0, WD 2mm	●	●
	40×/0.65/∞/0.17, WD 0.54mm		●
	100×/1.25/∞/0.17, WD 0.13mm		●
Nosepiece	Backward quintuple nosepiece, Center adjustable	●	●
Analyzer	0°-360° rotatable analyzer with gradation, minimum gradation: 0.1°	●	●
Conoscopic Observation	Switch between orthoscopic and conoscopic observation, Bertrand lens position adjustable	●	●
Optical Compensator	λ plate (first class red), 1/ 4λ plate, quartz wedge plate	●	●
Polarizing Rotatable Stage	Diameter Φ170mm, center adjustable, 360° scale, minimum division 1°, minimum reading vernier scale 6', 45° click stop knob	●	●
Attachable Stage	Moving range 30mm×40mm	○	○
Condenser	Strain free swing out condenser NA0.9/0.25		●
Focusing	Coaxial coarse & fine adjustment, range 32mm, fine division 0.001mm, coarse stroke 37.7mm per rotation, fine stroke 0.1mm per rotation	●	●
Polarizer	Transmitted: 360° Rotatable, 0° position adjustable		●
	Reflected: Fixed	●	●
Illumination	Reflected light: 24V/100W Halogen lamp, brightness adjustable	●	●
	Transmitted light: 24V/100W Halogen lamp, brightness adjustable		●
Filter	Blue filter Φ45mm		●
	ND6 Neutral density filter Φ45mm		○
	ND25 Neutral density filter Φ45mm		○
	Blue filter Φ25mm	○	○
	ND6 Neutral density filter Φ25mm	○	○
	ND25 Neutral density filter Φ25mm	○	○
Attachment	Video attachment	○	○
	0.01mm micrometer	○	○

Note: ●Standard parts ○Optional parts

Sample Image



6. BS-5095 Research Polarizing Microscope



BS-5095



BS-5095RF/TRF

Introduction

BS-5095 series scientific research polarizing microscopes have been specially designed for laboratory and scientific research work and university education, the microscopes combine with the practical, easy operation and superior optical system, can be used for single polarization, orthogonal polarization, conoscopic light observation. They can provide you reliable, high resolution and high contrast image. The microscopes can be used for multipurpose polarized light observation in fields such as geology, mineralogy and fossil fuel resource exploration.

Feature

1. Research-grade Polarizing Microscope with Wide Application Range and High Reliability.
 - (1) Transmission observation: Bright Field, Dark Field, Phase Contrast.
 - (2) Reflection observation: Bright Field, Dark Field, Polarizing, Fluorescent, Phase Contrast (DIC).
 - (3) Multiple Types of Compensators are available.



2. Excellent Optical Quality and Strong Stability.

- (1) Infinite optical system and 10X/25mm eyepiece provide a high definition and wide view field.

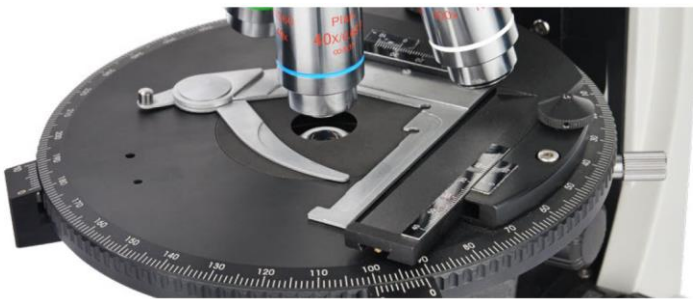
(2) Kohler Illumination System with Uniform Illumination makes the microscopic imaging more realistic and the results are highly repeatable.

(3) Strain-free Plan objectives Make Imaging More Accurate.

(4) Center Adjustable Sextuple Nosepiece allow more objectives.



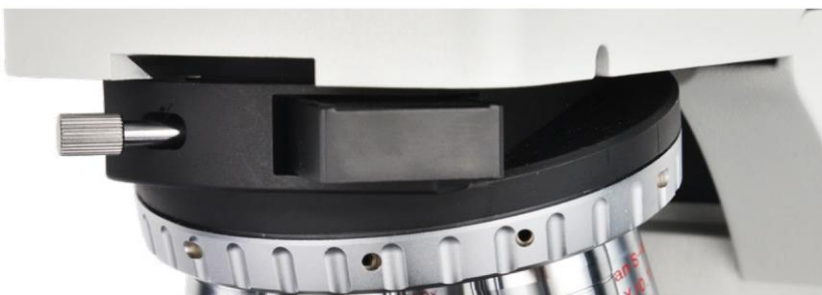
(5) High-precision Revolving Round Stage, diameter 190mm, pre-centered, attachable X-Y stage is optional.



(6) The polarizing set includes 0-360° rotatable analyzer, Bertrand lens can switch very quickly from conoscopic and orthoscopic images.



(6) Compensator Slot on nosepiece. Various compensators can be used to enhance the advanced quantitative measurement of the signal of the weak birefringent material.



3. Tilting Seidentopf Trinocular Viewing Head(optional) can be operated in a more comfortable position.



4. Rotary Observation Module. Up to 6 observation modules can be placed in the rotating disc structure, different observation method can be quickly switched.



5. ECO Function. The transmitted light would be off automatically after 30 minutes from operators leave. It can save energy and extend the lamp life.



Application

BS-5095 series polarizing microscopes are ideal instrument in geology, petroleum, coal, mineral, chemicals, semiconductor and pharmaceutical inspection fields. They are widely used in academic demonstration and scientific research areas.

Specification

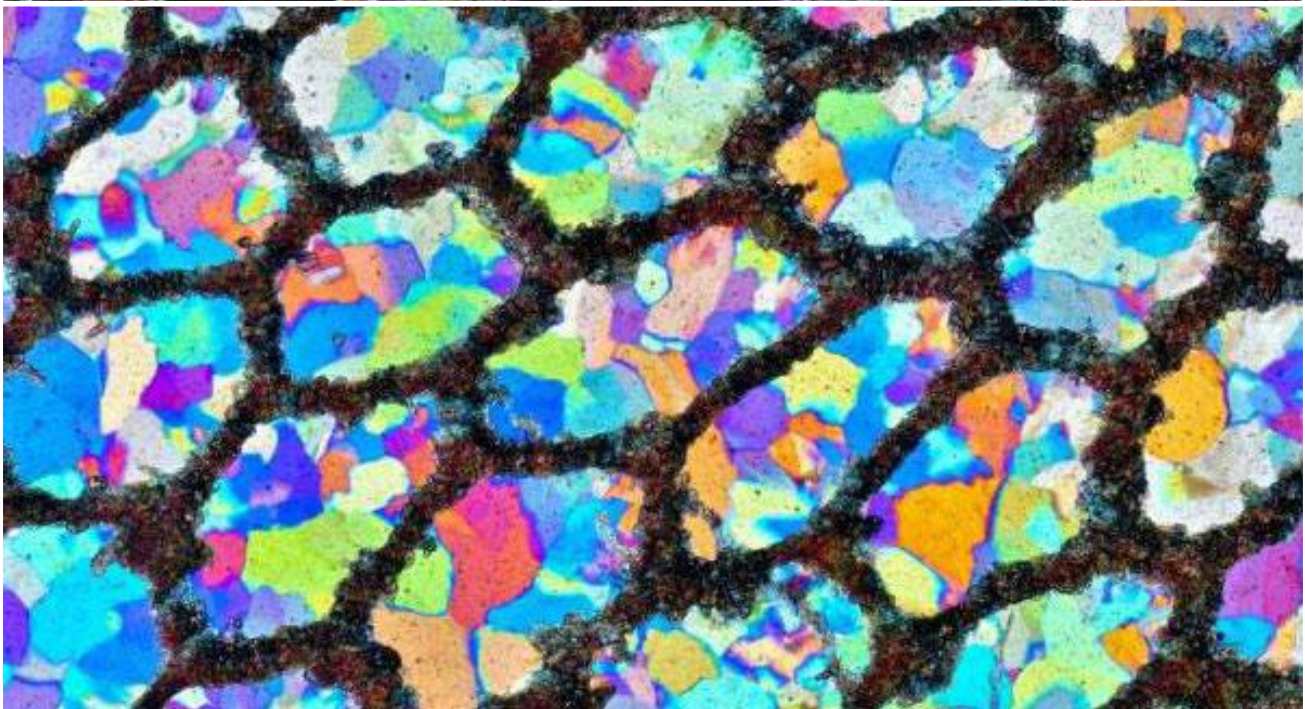
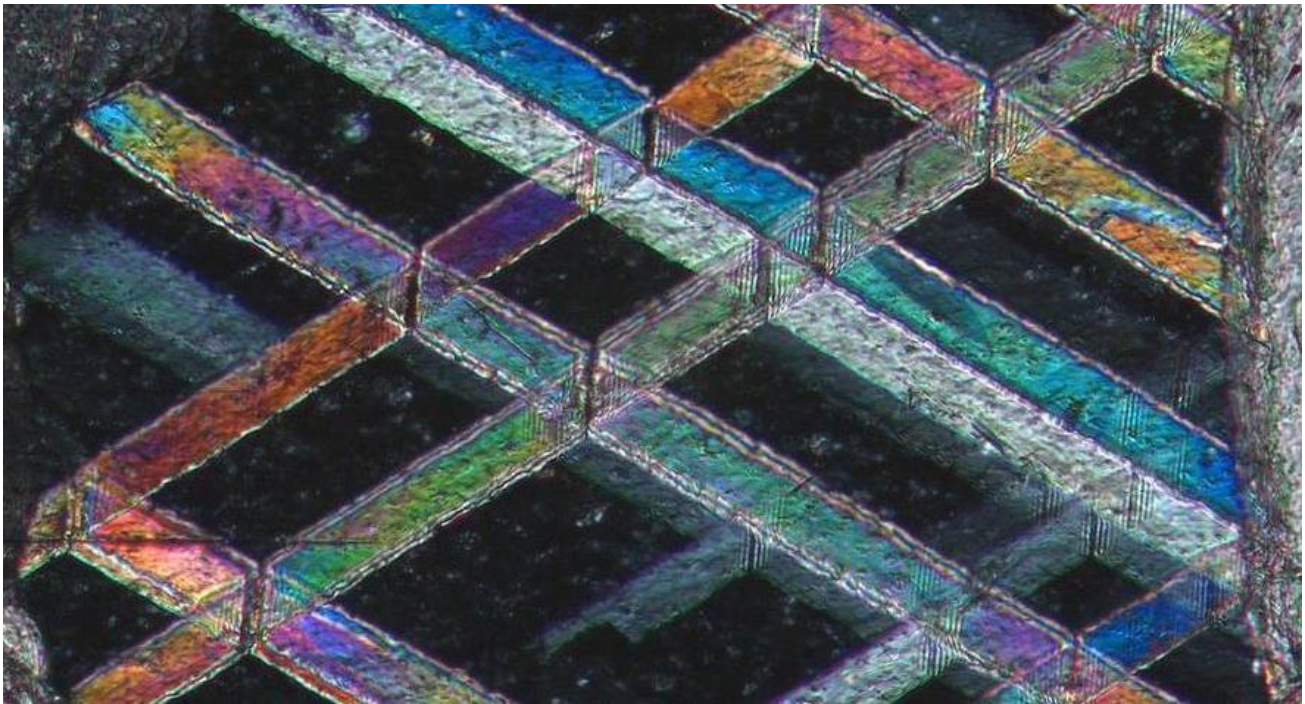
Item	Specification	BS-5095	BS-5095 RF	BS-5095 TRF
Optical System	NIS60 Infinite Plan Semi-Apochromatic Optical System	●	●	●
Viewing Head	Seidentopf Trinocular Head, inclined at 30°, 360° Rotatable, Interpupillary Distance: 47-78mm	●	●	●
	Tilting Seidentopf Trinocular Head, inclined at 0-35°, 360° Rotatable, Interpupillary Distance: 47-78mm	○	○	○

Eyepiece	SW10×/25mm (2 pieces)	•	•	•
	SWF10×/25 with cross line reticle, with fixing pin (1 piece)	•	•	•
	SWF10×/25 with cross line, with fixing pin (1 piece)	•	•	•
	SWF10×/25 with grid reticle, with fixing pin (1 piece)	•	•	•
Infinite Strain Free Plan Achromatic Objective (Transmitted)	4×/0.10 W.D=30.0mm	•		○
	10×/0.25 W.D=10.2mm	•		○
	20×/0.40 W.D=12mm	○		○
	40×/0.65(S) W.D=0.7mm	•		○
	60×/0.80 (S) W.D=0.3mm	○		○
	100×/1.25 (S, Oil) W.D=0.2mm	•		○
LWD Infinite Strain Free Semi- APO Plan Objective (Reflected)	5×/0.15 W.D=20mm		•	•
	10×/0.30 W.D=11mm		•	•
	20×/0.45 W.D=3.0mm		•	•
LWD Infinite Strain Free APO Plan Objective (Reflected)	50×/0.80 (S) W.D=1.0mm		•	•
	100×/0.90 (S) W.D=1.0mm		○	○
Nosepiece	Backward Quintuple Nosepiece with DIC Slot, center adjustable	•	•	•
Condenser	Strain-free swing out condenser N.A.0.9/0.25	•		•
Transmitted Illumination	Koehler Illumination 12V/100W Halogen Lamp (Input voltage: 100V-240V)	•		•
Reflecting Illumination	Koehler Illumination 12V/100W Halogen Lamp (Input voltage: 100V-240V)		•	•
Focusing	Coaxial Coarse & Fine Adjustment, Fine Stroke 0.1mm, Coarse Stroke 35mm, Fine Division 0.001mm, Sample Space 50mm	•	•	•
Stage	High-precision Revolving Round Stage, Diameter 190mm, Center Adjustable, 360° Rotatable, Minimum Division 1°, Vernier Division 6', 45° Click Stop Knob	•	•	•
Attachable Stage	Attached Mechanical Stage with X-Y movement, Moving Range 30mm×30mm	•	•	•
Analyzer Unit	Rotatable 360°, Minimum Scale Reading: 0.1°(Vernier Scale)	•	•	•
Conoscopic observation	Switch between Orthoscopic and Conoscopic Observation, Bertrand Lens Position Adjustable	•	•	•
Optical Compensator	λ Plate(First Class Red), 1/4λ Plate, Quartz Wedge Plate	•	•	•
Transmitted Polarizer	With Scale, Rotatable 360°, Can Be Locked	•		•
Reflected Polarizer	Fixed Polarizer		•	•
Filter	Blue	•	•	•
	Amber	○	○	○

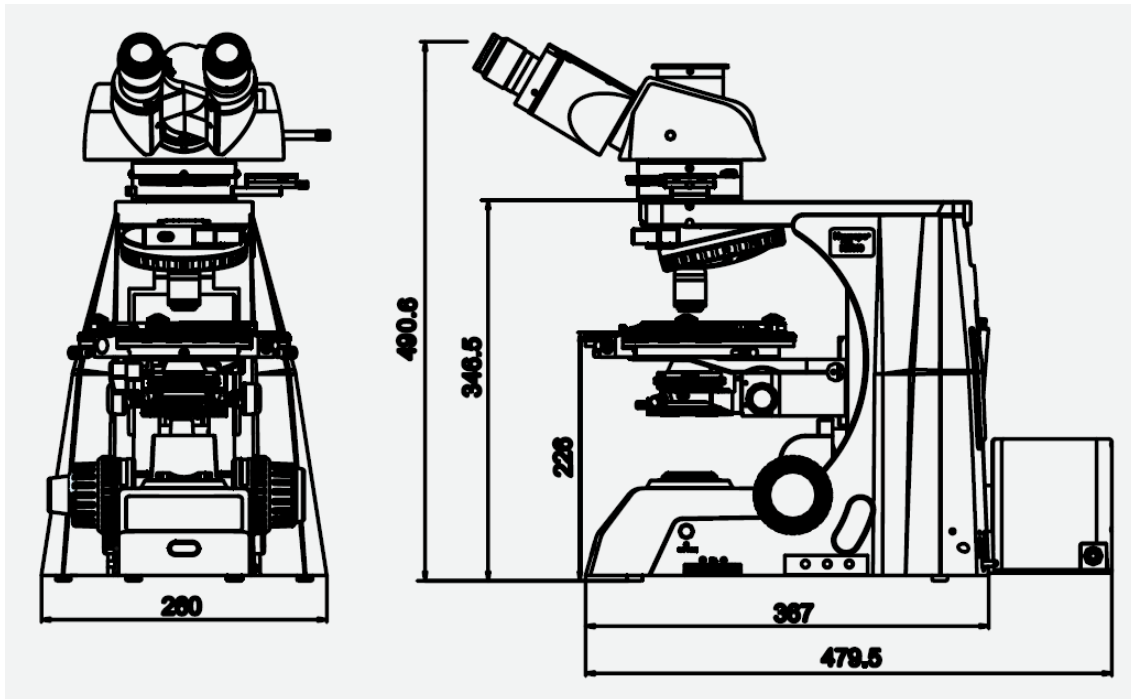
	Green	○	○	○
	Neutral	○	○	○
C-mount	1×	○	○	○
	0.5×	○	○	○

Note: ● Standard Outfit, ○ Optional

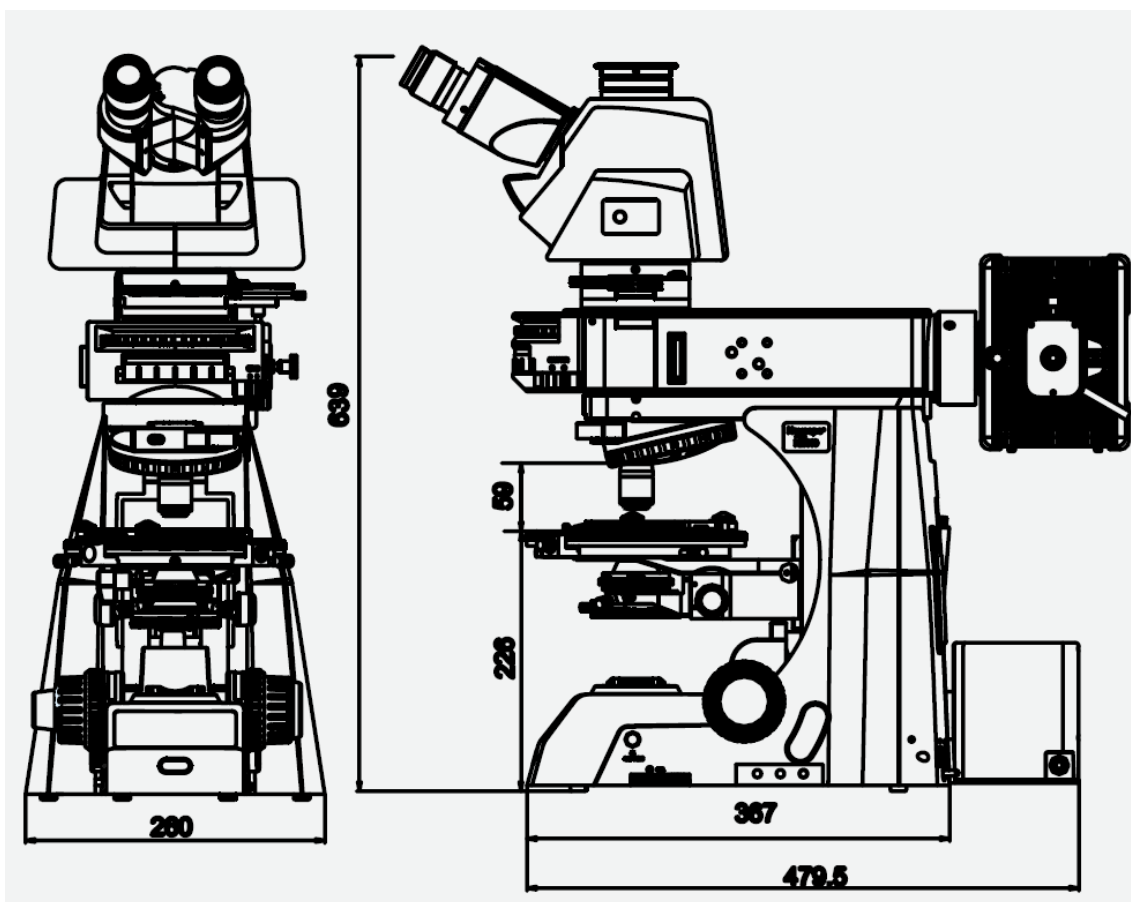
Sample Image



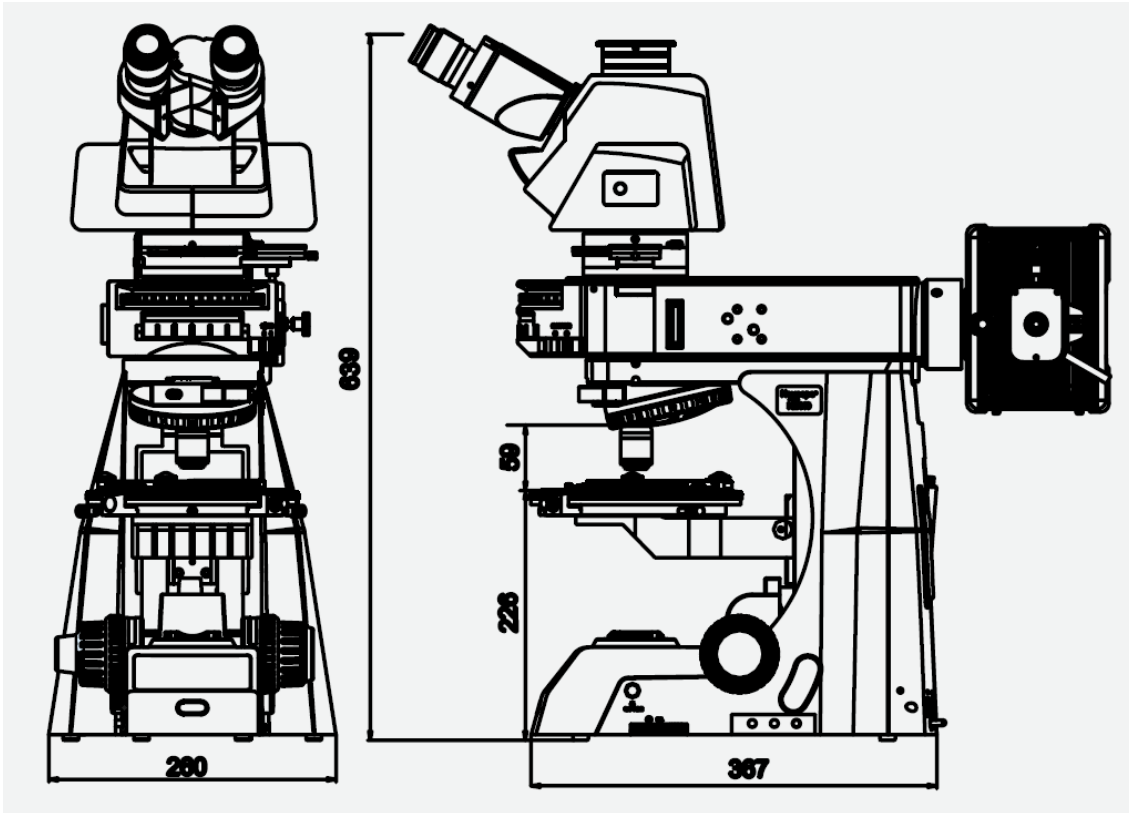
Dimension



BS-5095



BS-5095RF with tilting trinocular head



BS-5095TRF with tilting trinocular head