

## BS-5062 Polarizing Microscope



BS-5062B



BS-5062BR



BS-5062BTR



BS-5062T



BS-5062TR



BS-5062TTR

### Introduction

BS-5062 series polarizing microscopes feature a highly robust construction and first class optics to provide a long life and excellent quality images. Accessories like Gypsum slide, Mica slide, Quartz wedge and Mechanical stage are available. The microscopes are specifically designed for geology, minerals and material areas. They also can be used in chemical fiber, semiconductor and pharmaceutical industries.

### Feature

1. Excellent Infinite Optical System.
2. Widely used in geology, Mineralogy, Fossil fuel exploration.
3. Single polarization, orthogonol polarization or conoscopic observation is available.



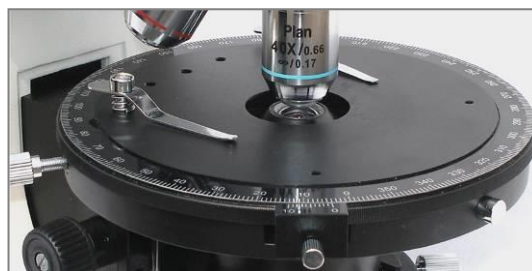
Professional dedicated polarizing binocular / trinocular head can keep the cross in the right-hand eyepiece always same when the eyepiece tubes turned.



Bertrand lens  
360° rotatable analyzer(with division, can be locked), can be moved out of the light path.



Centering Nosepiece



Centering Revolving Round Stage



Polarizer



Swing-out Condenser



Compensator



Polarizing Attached Mechanical Stage

## Application

BS-5062 series polarizing microscopes are ideal instrument in geology, petroleum, coal, mineral, chemicals, semiconductor and pharmaceutical inspection fields. They are widely used in academic demonstration and scientific research areas.

## Specification

Item	Specification	BS-5062B	BS-5062BR	BS-5062BTR
Optical System	Infinite Optical System	•	•	•
Viewing Head	Seidentopf Binocular Head, inclined at 30°, 360° Rotatable, Interpupillary Distance: 48-76mm.	•	•	•
	Seidentopf Trinocular Head, inclined at 30°, 360° Rotatable, Interpupillary Distance: 48-76mm, Light distribution (both) 100:0 (100% for eyepiece), 80:20 (80% for trinocular head and 20% for eyepiece)	○	○	○
Eyepiece	WF10×/22mm	•		
	WF10×/22 mm (Reticule 0.1mm)	•		

	WF10×/20 mm		•	•
	WF10×/20 mm (Reticule 0.1mm)		•	•
Infinite Strain Free Plan Achromatic Objective (Transmitted)	4×/0.10 W.D=12.1mm	•		•
	10×/0.25 W.D=4.64mm	•		•
	20×/0.40(S) W.D=2.41mm	•		•
	40×/0.66(S) W.D=0.65mm	•		•
	60×/0.80 (S) W.D=0.33mm	○		○
	100×/1.25 (S, Oil) W.D=0.12mm	○		○
LWD Infinite Strain Free Plan Achromatic Objective (Reflected)	5×/0.13 (S) W.D=24.23mm		•	○
	10×/0.25 (S) W.D=18.48mm		•	○
	20×/0.40 (S) W.D=8.35mm		•	○
	50×/0.70 (S) W.D=1.95mm		•	•
	100×/0.90 (S, Dry) W.D=1.1mm		○	○
Nosepiece	Backward Quintuple nosepiece, center adjustable	•	•	•
Analyzer Unit	Rotatable 360°, module type, can be locked	•	•	•
Bertrand Lens	Built In, Center Adjustable	•	•	•
Optical Compensator	λ Slip(First Class Red), 1/4λ Slip, Quartz Wedge ( I - IV Class)	•	•	•
Revolving Round Stage	Diameter Φ156mm, Rotatable 360°, Center Adjustable, Division 1°, Vernier Division 6'	•	•	•
Attachable Mechanical Stage	Polarizing Attached Mechanical Stage with X-Y movement	○	○	○
Focusing	Coaxial Coarse & Fine Adjustment, Range 25mm, Fine Stroke 0.2mm, Fine Division 0.002mm	•	•	•
Swing-out Condenser	N.A.0.9/0.13 swing out condenser	•		•
Polarizing Unit	with Scale, Rotatable 360°, Can Be Locked	•		•
Transmitted Illumination	5W LED lamp (Input voltage:100V~240V)	•		•
	Koehler Illumination 6V/30W Halogen Lamp (Input voltage: 100V~240V)	○		○
Reflected Illumination	5W LED lamp (Input voltage:100V~240V)		•	•
	With field diaphragm, aperture diaphragm, polarizer, 12V/50W halogen lamp (Input voltage:100V~240V)		○	○
Filter	Blue	•	•	•
	Amber	○	○	○
	Green	○	○	○
	Neutral	○	○	○
C-mount	1× (Focus adjustable)	○	○	○
	0.75× (Focus adjustable)	○	○	○
	0.5× (Focus adjustable)	○	○	○
Packing	Packing size 565mm×310mm×410mm, Gross Weight 12.5kgs, Net Weight 10kgs	•		

	Packing size 750mm×360mm×450mm, Gross Weight 15kgs, Net Weight 11kgs		●	
	Packing size 750mm×360mm×450mm, Gross Weight 16kgs, Net Weight 12kgs			●

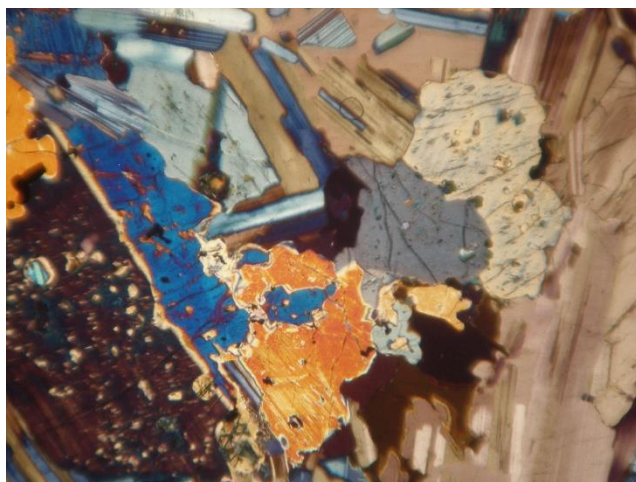
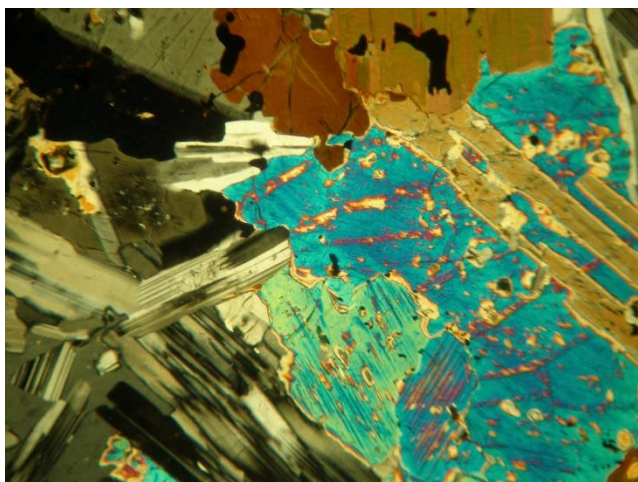
Note: ● Standard Outfit, ○ Optional

Item	Specification	BS-5062T	BS-5062TR	BS-5062TTR
Optical System	Infinite Optical System	●	●	●
Viewing Head	Seidentopf Binocular Head, inclined at 30°, 360° Rotatable, Interpupillary Distance: 48-76mm.	○	○	○
	Seidentopf Trinocular Head, inclined at 30°, 360° Rotatable, Interpupillary Distance: 48-76mm, Light distribution (both) 100: 0 (100% for eyepiece), 80:20 (80% for trinocular head and 20% for eyepiece)	●	●	●
Eyepiece	WF10×/22mm	●		
	WF10×/22 mm (Reticule 0.1mm)	●		
	WF10×/20 mm		●	●
	WF10×/20 mm (Reticule 0.1mm)		●	●
Infinite Strain Free Plan Achromatic Objective (Transmitted)	4×/0.10 W.D=12.1mm	●		●
	10×/0.25 W.D=4.64mm	●		●
	20×/0.40(S) W.D=2.41mm	●		●
	40×/0.66(S) W.D=0.65mm	●		●
	60×/0.80 (S) W.D=0.33mm	○		○
	100×/1.25 (S, Oil) W.D=0.12mm	○		○
LWD Infinite Strain Free Plan Achromatic Objective (Reflected)	5×/0.13 (S) W.D=24.23mm		●	○
	10×/0.25 (S) W.D=18.48mm		●	○
	20×/0.40 (S) W.D=8.35mm		●	○
	50×/0.70 (S) W.D=1.95mm		●	●
	100×/0.90 (S, Dry) W.D=1.1mm		○	○
Nosepiece	Backward Quintuple nosepiece, center adjustable	●	●	●
Analyzer Unit	Rotatable 360°, module type, can be locked	●	●	●
Bertrand Lens	Built In, Center Adjustable	●	●	●
Optical Compensator	λ Slip(First Class Red), 1/4λ Slip, Quartz Wedge ( I - IV Class)	●	●	●
Revolving Round Stage	Diameter Φ156mm, Rotatable 360°, Center Adjustable, Division 1°, Vernier Division 6'	●	●	●
Attachable Mechanical Stage	Polarizing Attached Mechanical Stage with X-Y movement	○	○	○
Focusing	Coaxial Coarse & Fine Adjustment, Range 25mm, Fine Stroke 0.2mm, Fine Division 0.002mm	●	●	●
Swing-out Condenser	N.A.0.9/0.13 swing out condenser	●		●
Polarizing Unit	with Scale, Rotatable 360°, Can Be Locked	●		●

Transmitted Illumination	5W LED lamp (Input voltage:100V~240V)	●		●
	Koehler Illumination 6V/30W Halogen Lamp (Input voltage:100V~240V)	○		○
Reflected Illumination	5W LED lamp (Input voltage:100V~240V)		●	●
	With field diaphragm, aperture diaphragm, polarizer, 12V/50W halogen lamp (Input voltage:100V~240V)		○	○
Filter	Blue	●	●	●
	Amber	○	○	○
	Green	○	○	○
	Neutral	○	○	○
C-mount	1× (Focus adjustable)	○	○	○
	0.75× (Focus adjustable)	○	○	○
	0.5× (Focus adjustable)	○	○	○
Packing	Packing size 565mm×310mm×410mm, Gross Weight 12.5kgs, Net Weight 10kgs	●		
	Packing size 750mm×360mm×450mm, Gross Weight 15kgs, Net Weight 11kgs		●	
	Packing size 750mm×360mm×450mm, Gross Weight 16kgs, Net Weight 12kgs			●

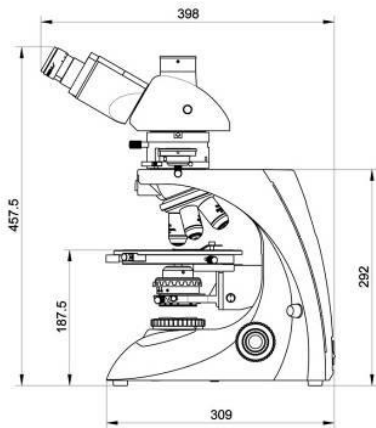
Note: ● Standard Outfit, ○ Optional

### Sample Image

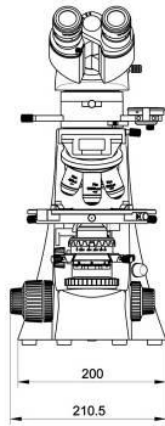




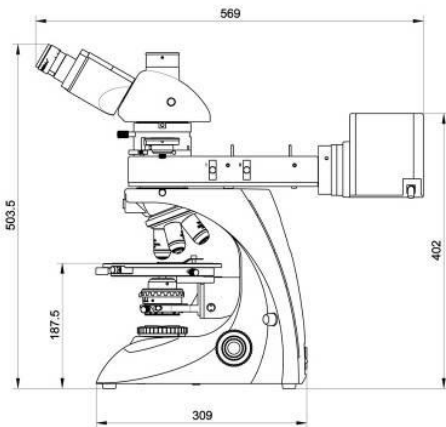
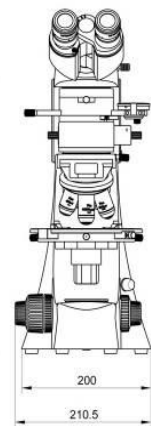
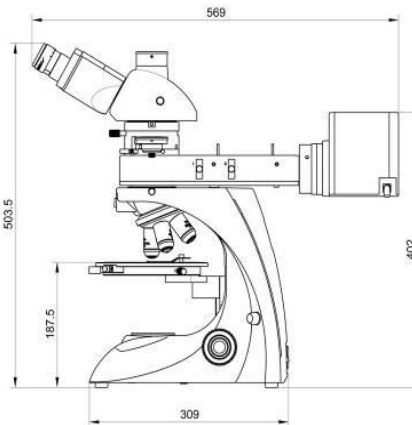
Dimension



BS-5062T



BS-5062TR



BS-5062TTR

